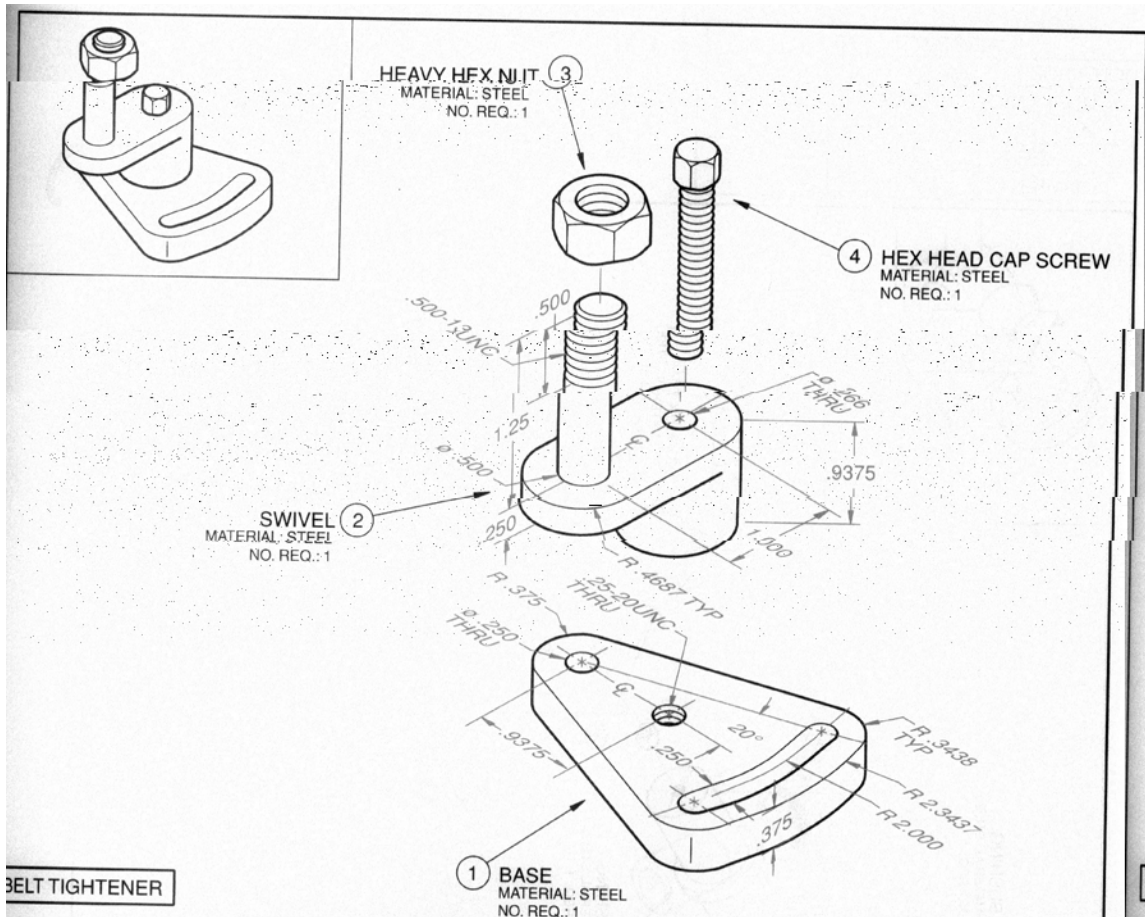


Department of Mechanical Engineering

MEP201 Machine Drawing

Tutorial Sheet No 1



The enclosed drawing shows the assembly drawing of a belt tightener.

Q1. Study the drawing carefully and attempt the following:

- On the drawing board draw orthographic views of components 1-3. Take appropriate sections as needed. Dimension all views appropriately. All these should be drawn on an A4 size sheet each with appropriate title block. All components on the sheet should be properly titled. You may use an appropriate scale.
- Missing dimensions may be taken proportionally.
- CONVERT ALL DIMENSIONS TO mm BEFORE DRAWING.

Wherever dimensions are not given you may assume them proportionately. Also note that in this course all drawings are to be accompanied by an appropriate title block and bill of materials. For this sheet use the first angle system of projection.

Q2. Decide scales and sheet sizes you should use for the drawings sheet1-a, sheet1-b and sheet1-c stored in the ME201 area on the server.

PART 2

- In ProE make models of parts 3, 2 and 1 (in that order!). For threaded parts, you may make a cylinder at this stage.
- You may make model of, say, part 3 and partly part 2 in class, and then complete the rest as homework.

