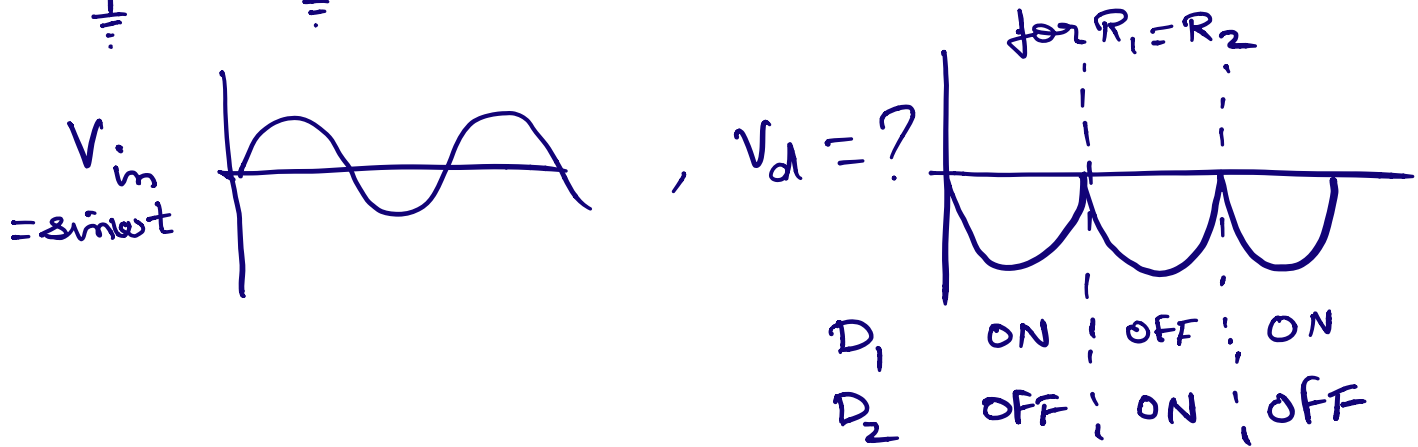
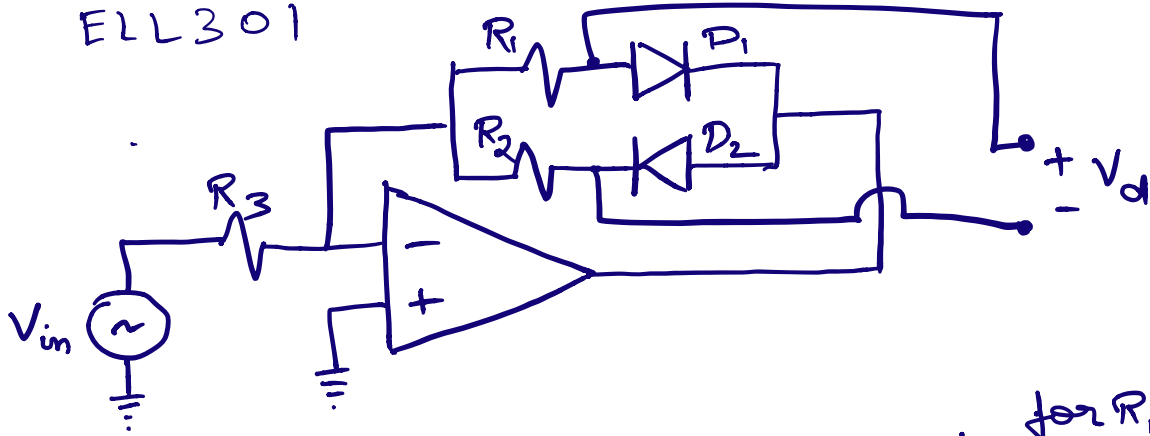
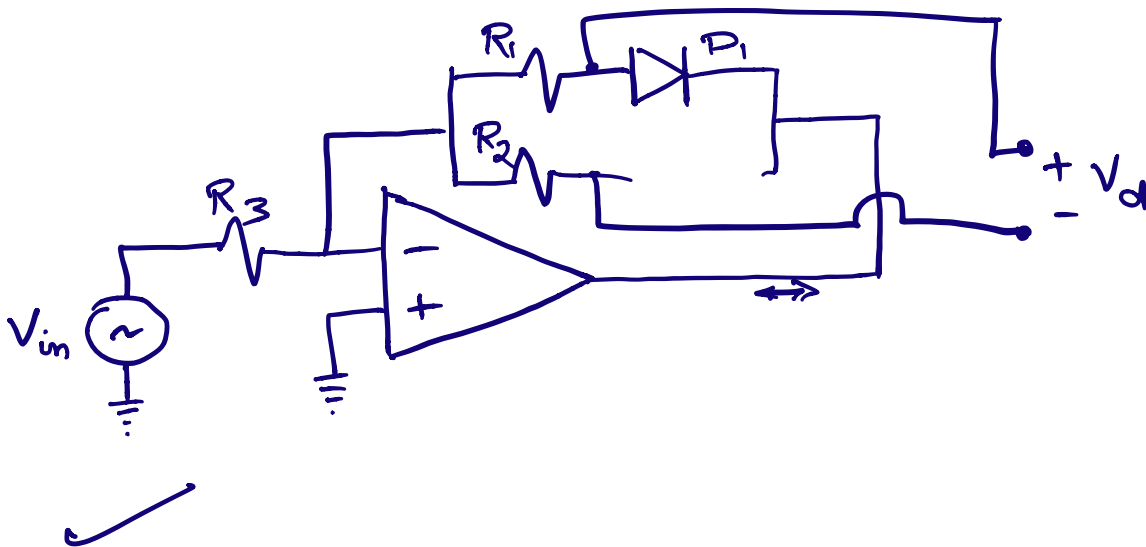


08.01.2019

ELL301



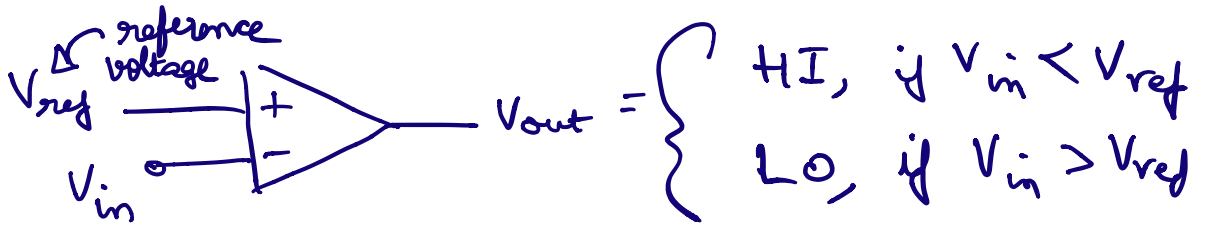
Q: When D_1 ON, D_2 OFF, where is current through R_1 going?



Analog-to-Digital Converters (ADC's)

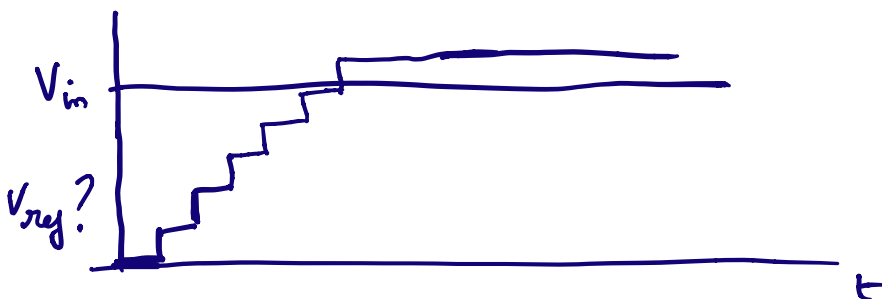
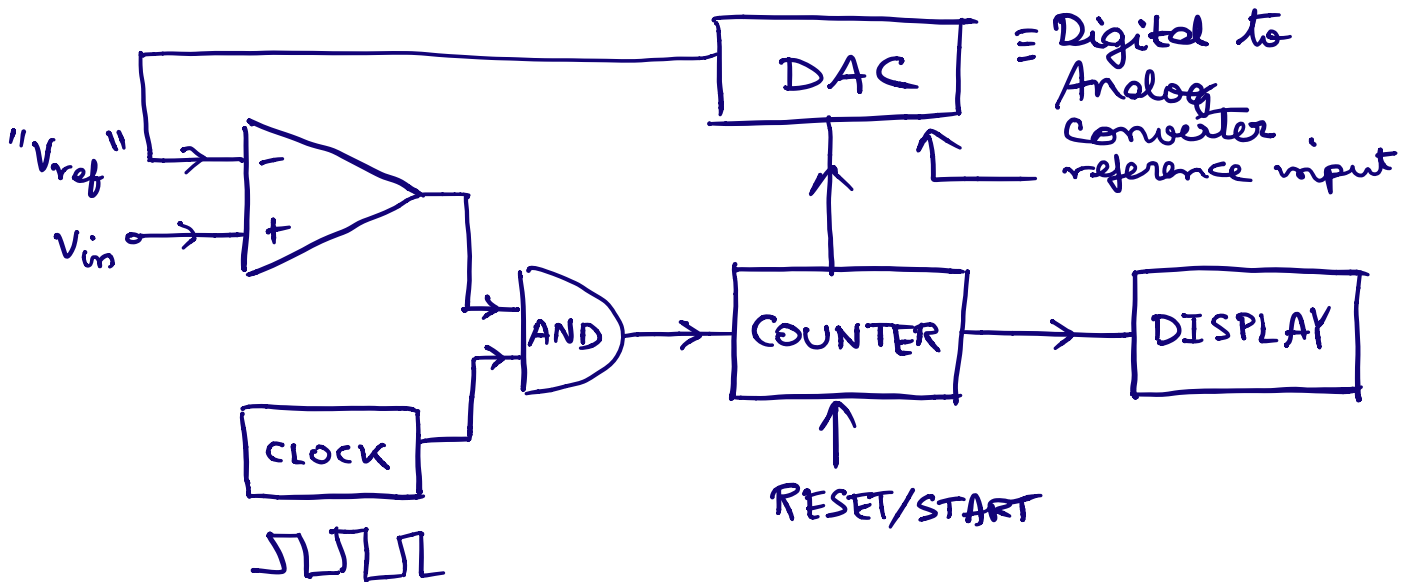
What do we want from an ADC?

- number of output levels ~ resolution



- "precision" difference between actual analog value and digital value should be less.
- time taken for analog to digital conversion.

Staircase Ramp Compensation.



Other ways

• time it crosses reference signal

