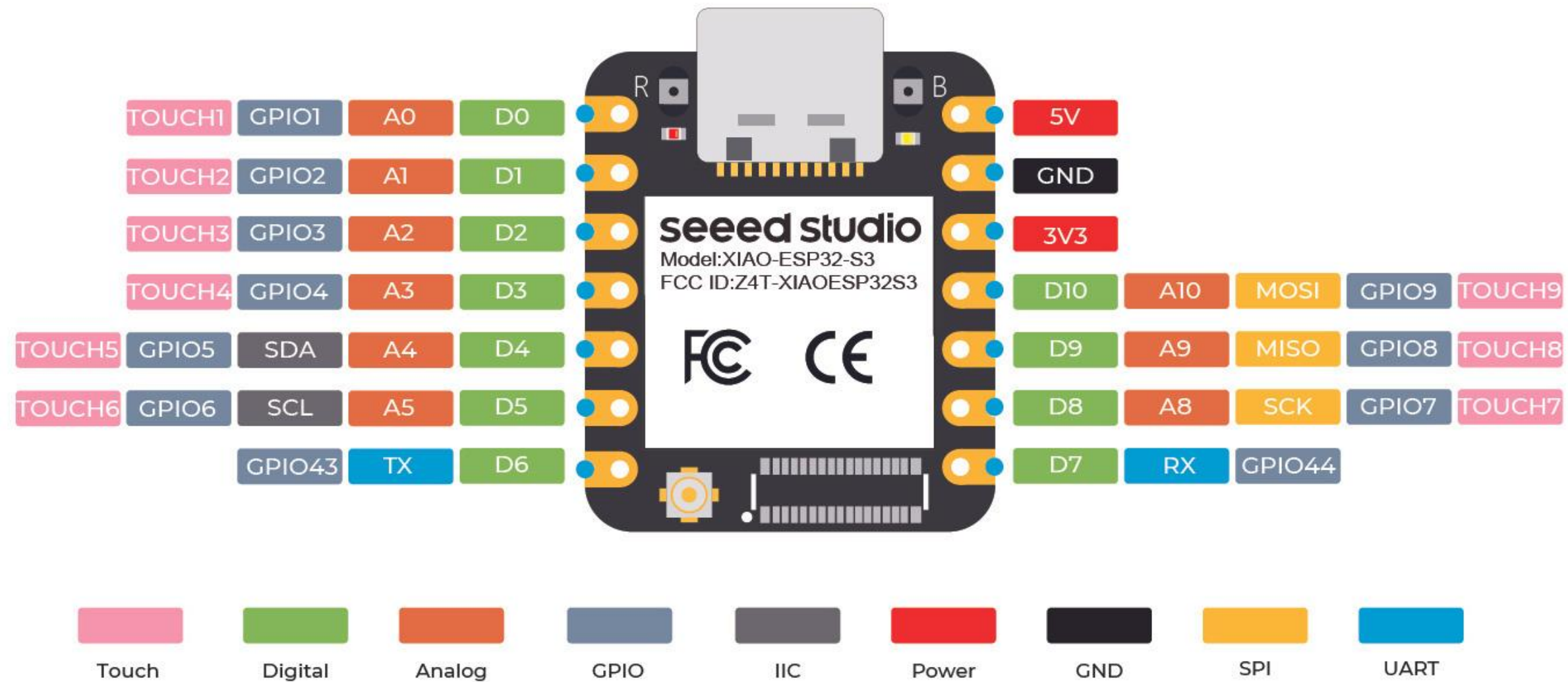


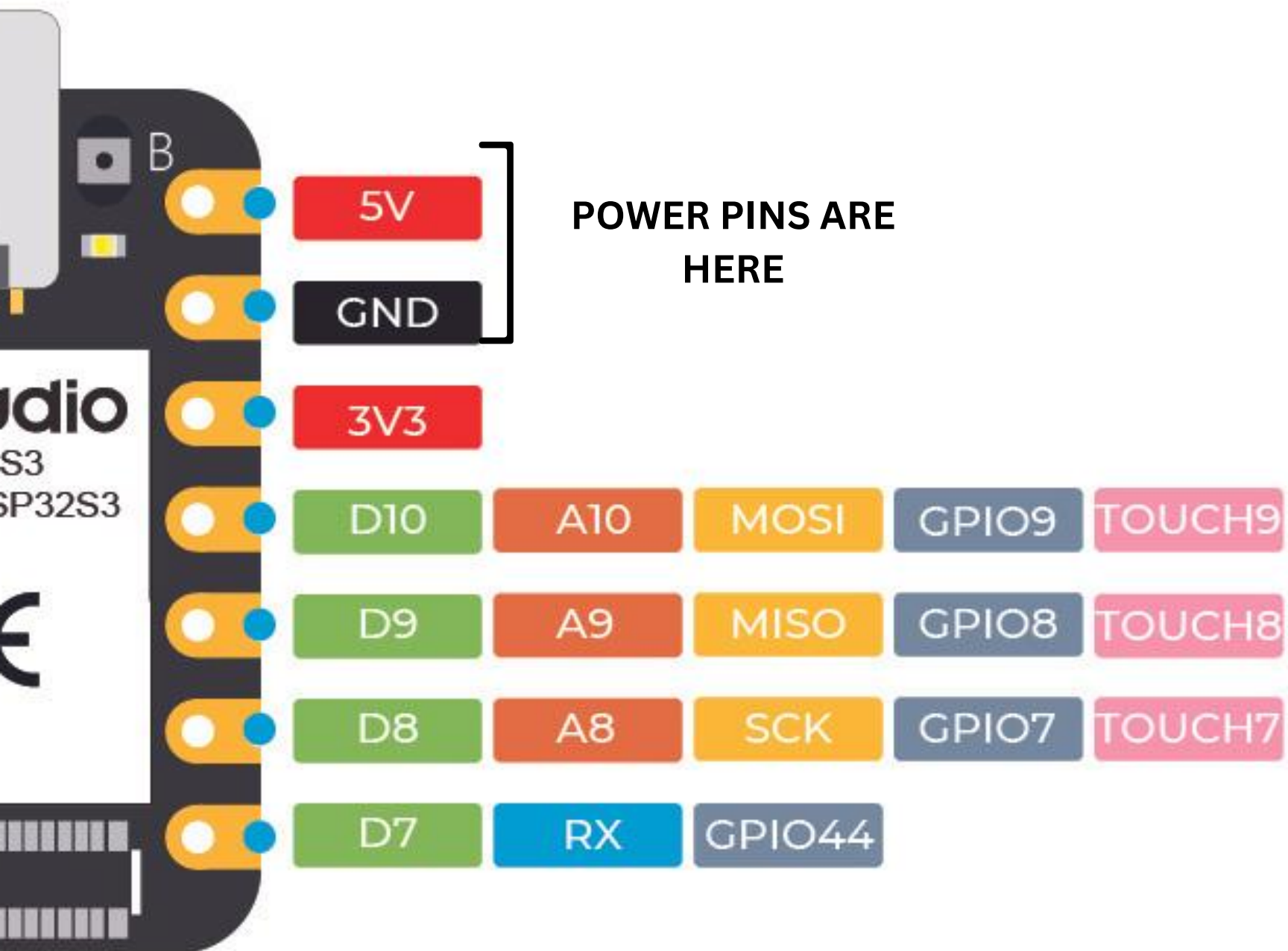
# xiao esp32- s3

## DataLogger

FRONT



IT



POWER PINS ARE  
HERE

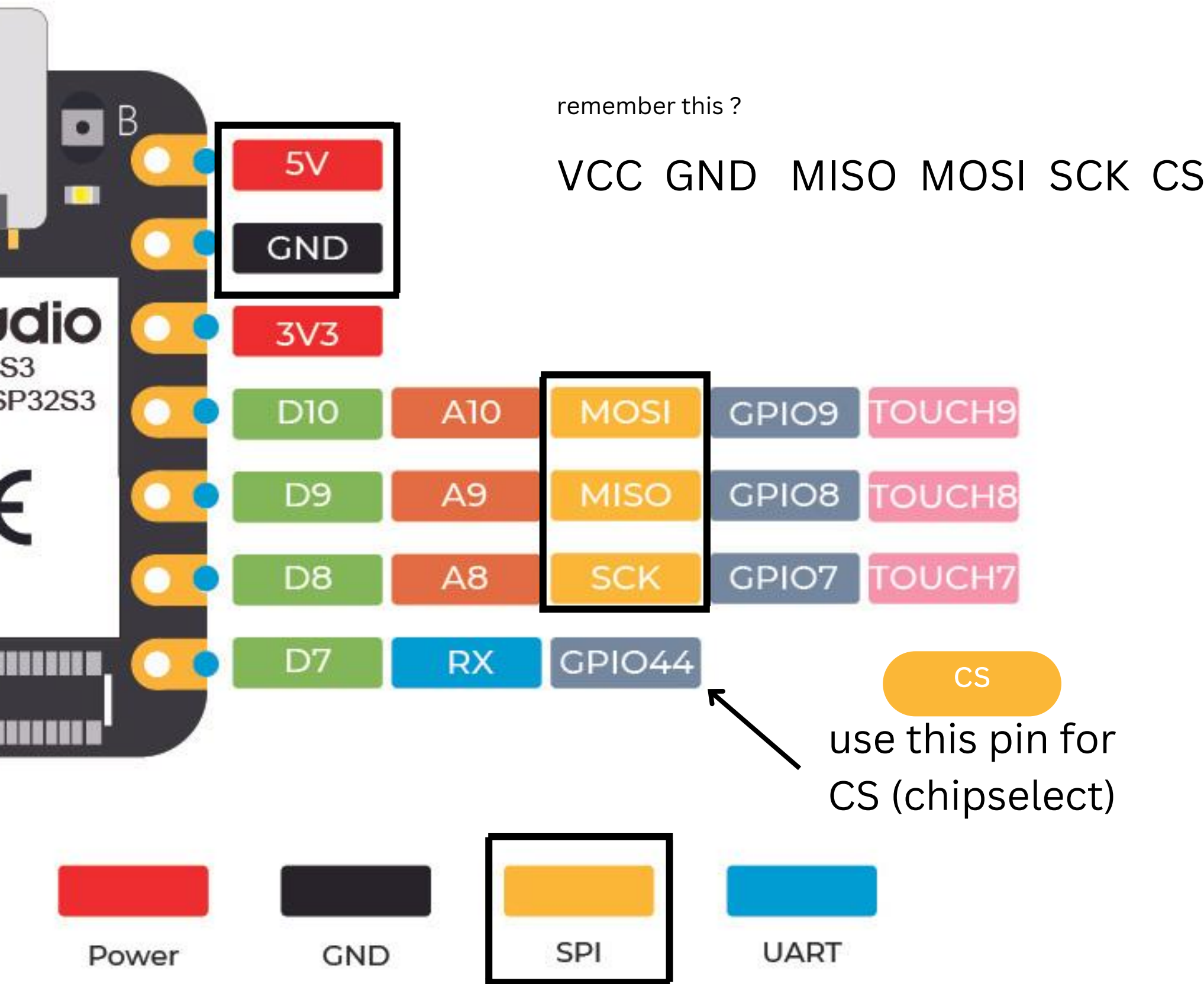
All the **vcc** pins connect to **5V**

**GND to GND**

Duh.

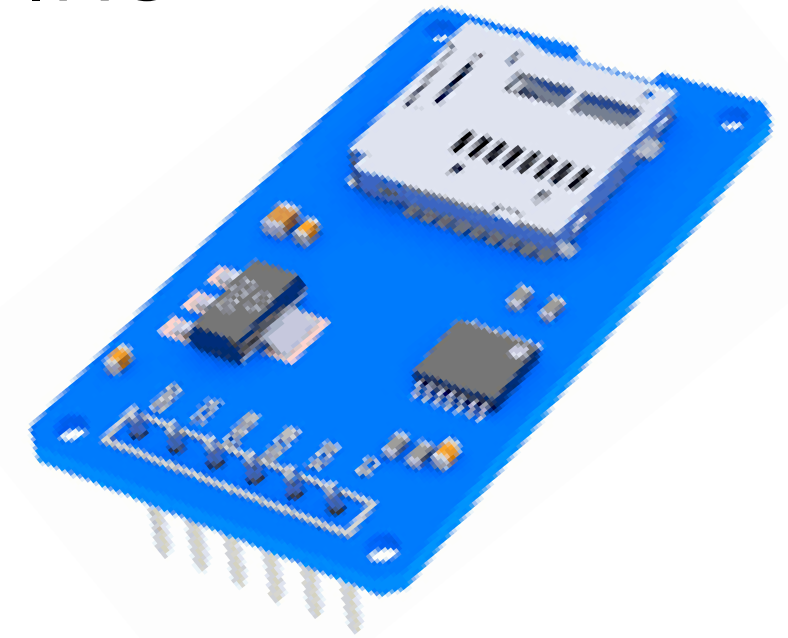


IT



# SPI

6 PINS

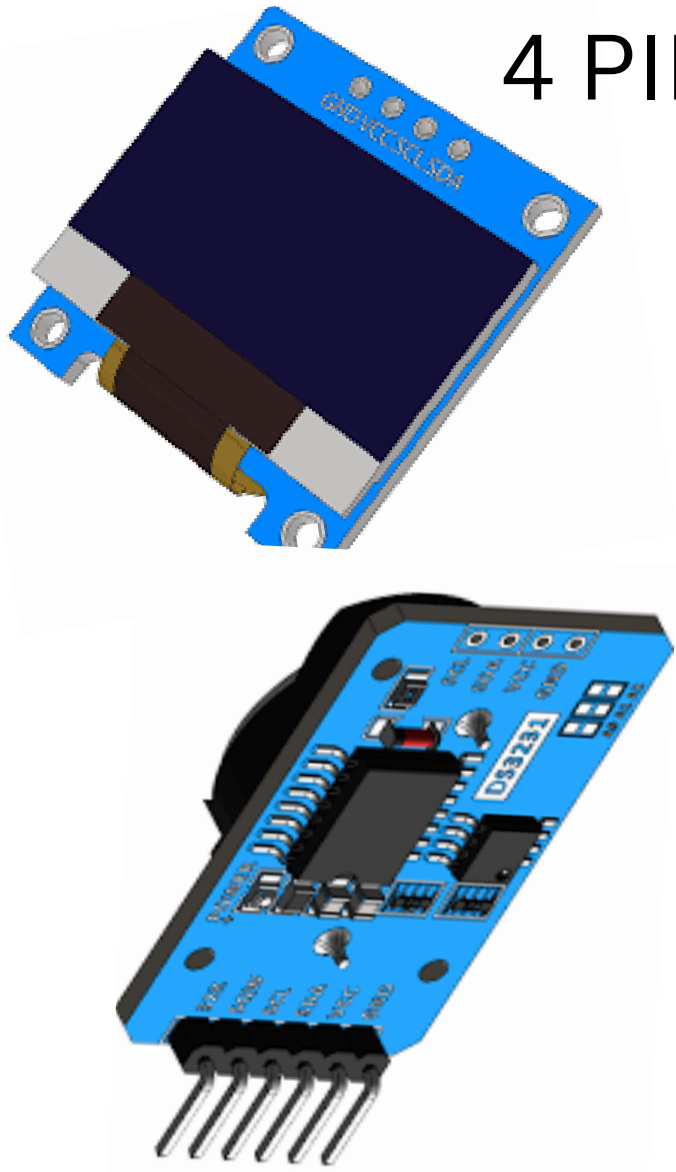


the SD card module uses the **SPI** protocol

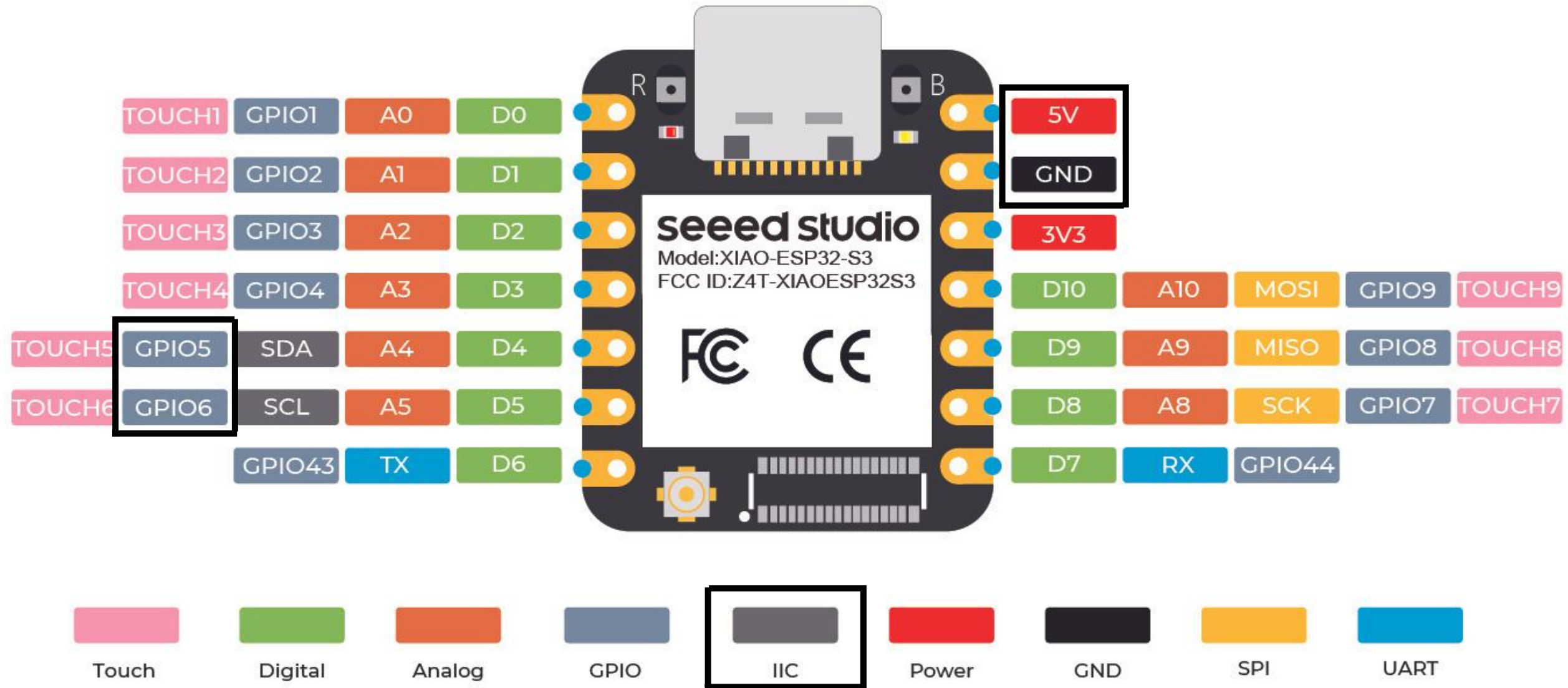


# I2C

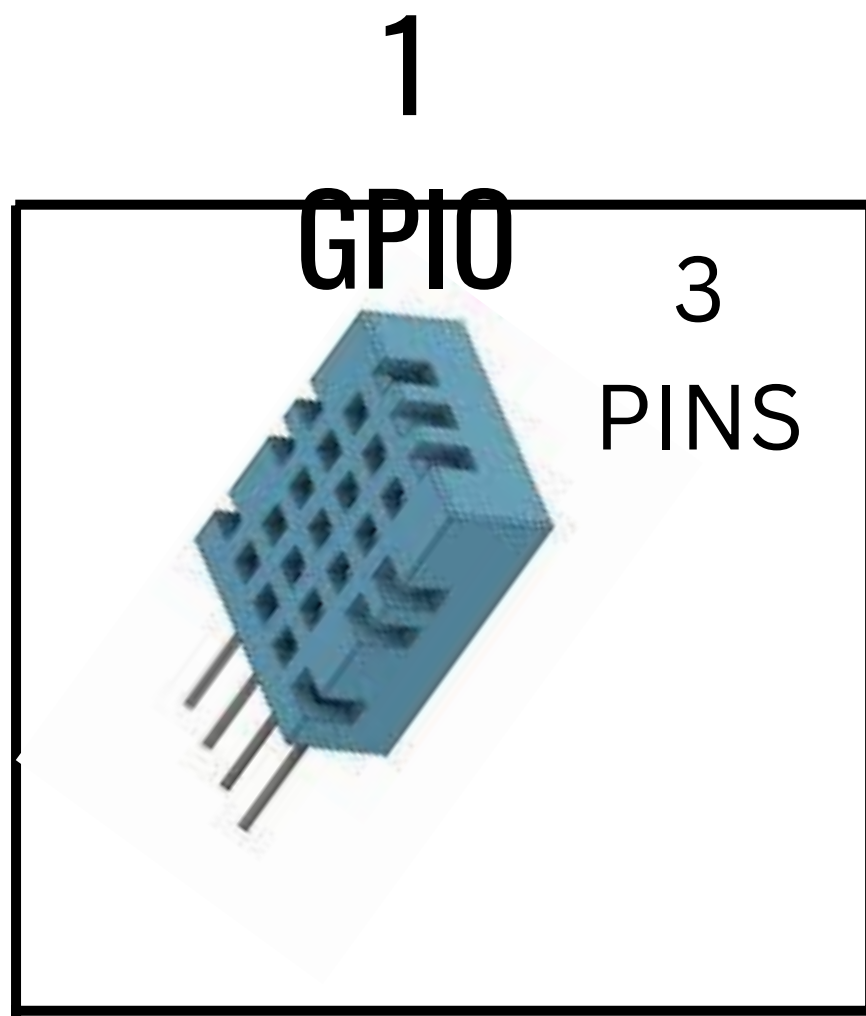
4 PINS



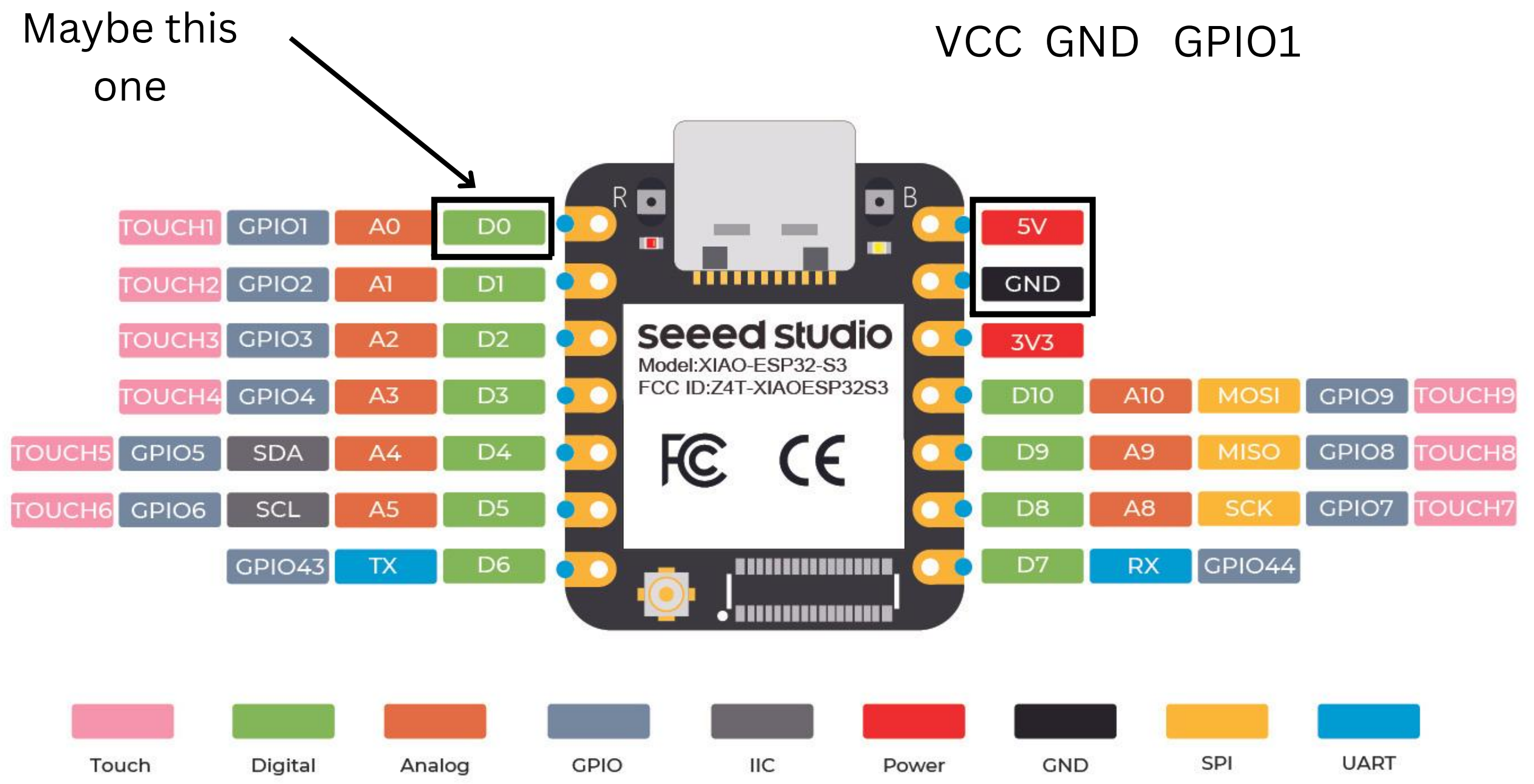
VCC GND SCL SDA



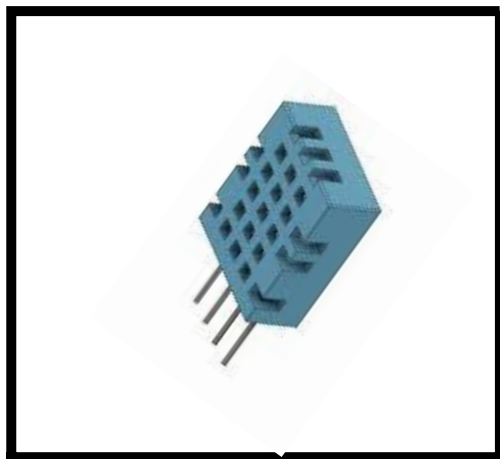
RTC & OLED uses I2C



**DHT 11  
uses 1 signal pin**

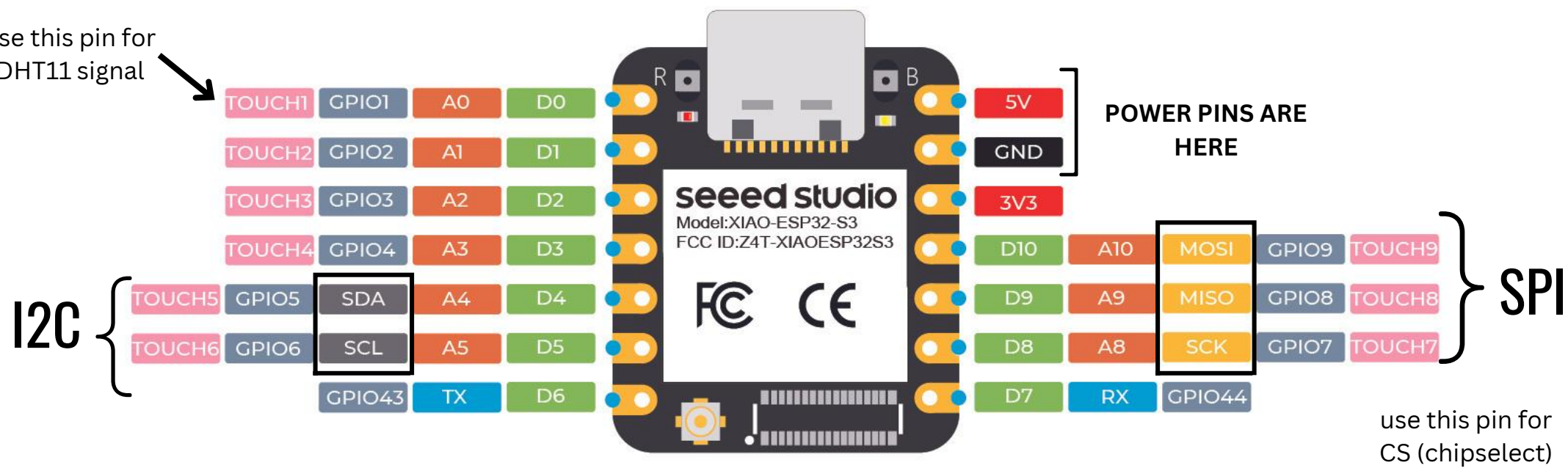
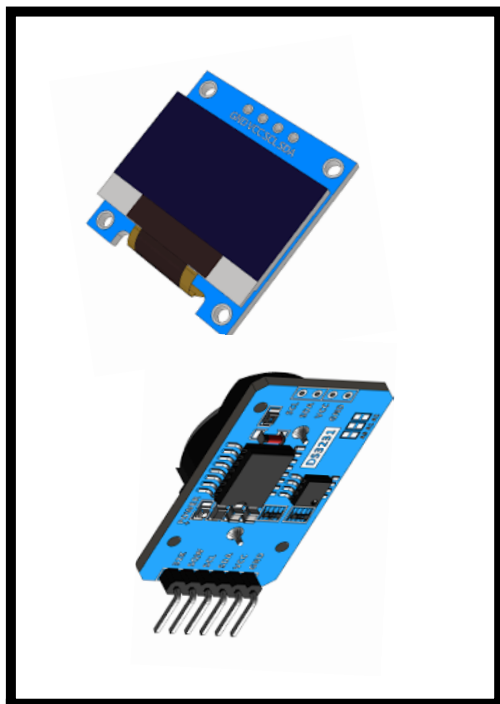


# 1 GPIO

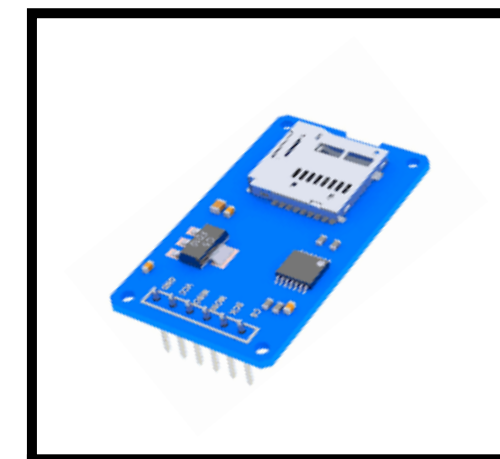


use this pin for DHT11 signal

# I2C



# SPI



- Touch
- Digital
- Analog
- GPIO
- IIC
- Power
- GND
- SPI
- UART



how to use the wire  
connector

**Insert the stripped  
wire**



**Press and hold to open the  
connector's terminal**

**Release**

easy right  
?

# JST CONNECTORS

**OLED  
RTC  
DHT1  
1**



4 pin



7 pin

**SD module  
xiao esp32 s3**

**Japan Solderless Terminals**