

Materials and Prototyping DSL 732

Source: <https://hub.paektub.com/fab-lab-worldwide-labs-digital-fabrication-0/>

CNC ROUTERS

HAND TOOLS

COMPUTER & SOFTWARE

VINYL CUTTER

LASER CUTTER

3D SCANNER

3D PRINTERS

ELECTRONICS WORKBENCH

Topic 1

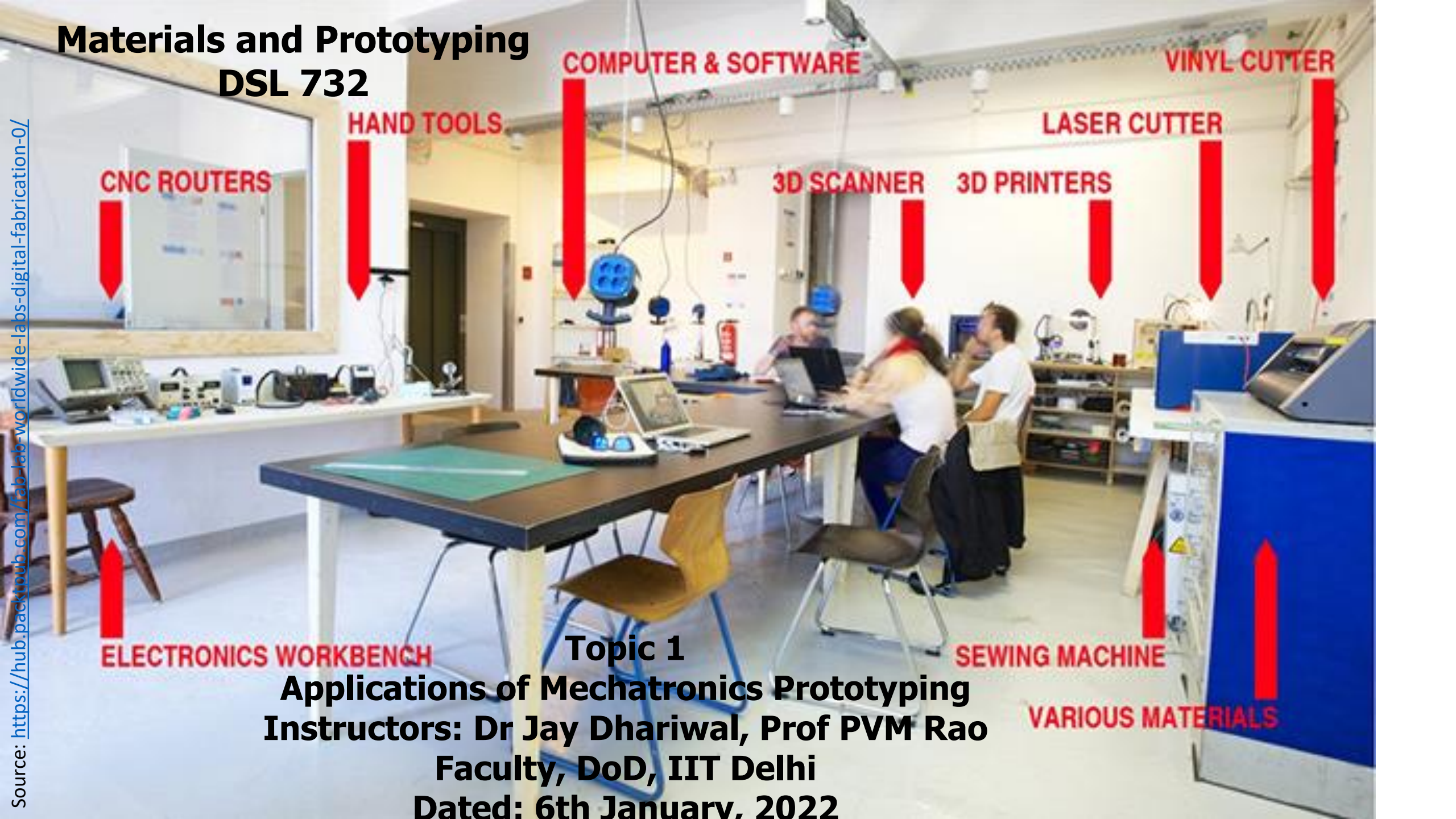
SEWING MACHINE

Applications of Mechatronics Prototyping
Instructors: Dr Jay Dhariwal, Prof PVM Rao

VARIOUS MATERIALS

Faculty, DoD, IIT Delhi

Dated: 6th January, 2022



Topic Outline

- Projects from Assistech Lab
- My Projects (Medical Device, xy plotter, e-bike controller)
- Projects from DSL 732, Autumn 2019
- [Fab Lab projects](#)
- Instructables, DIY websites
- Project Management lessons



Smart Cane, Assistech Lab, IIT Delhi

Design and development of ChromoSpray (Improving chromo endoscopic surveillance for IBD)

Dr Jay Dhariwal, School of Mechanical Engineering, University of Leeds

Dr Peter Culmer, Prof. Nikil Kapur
School of Mechanical Engineering, University of Leeds

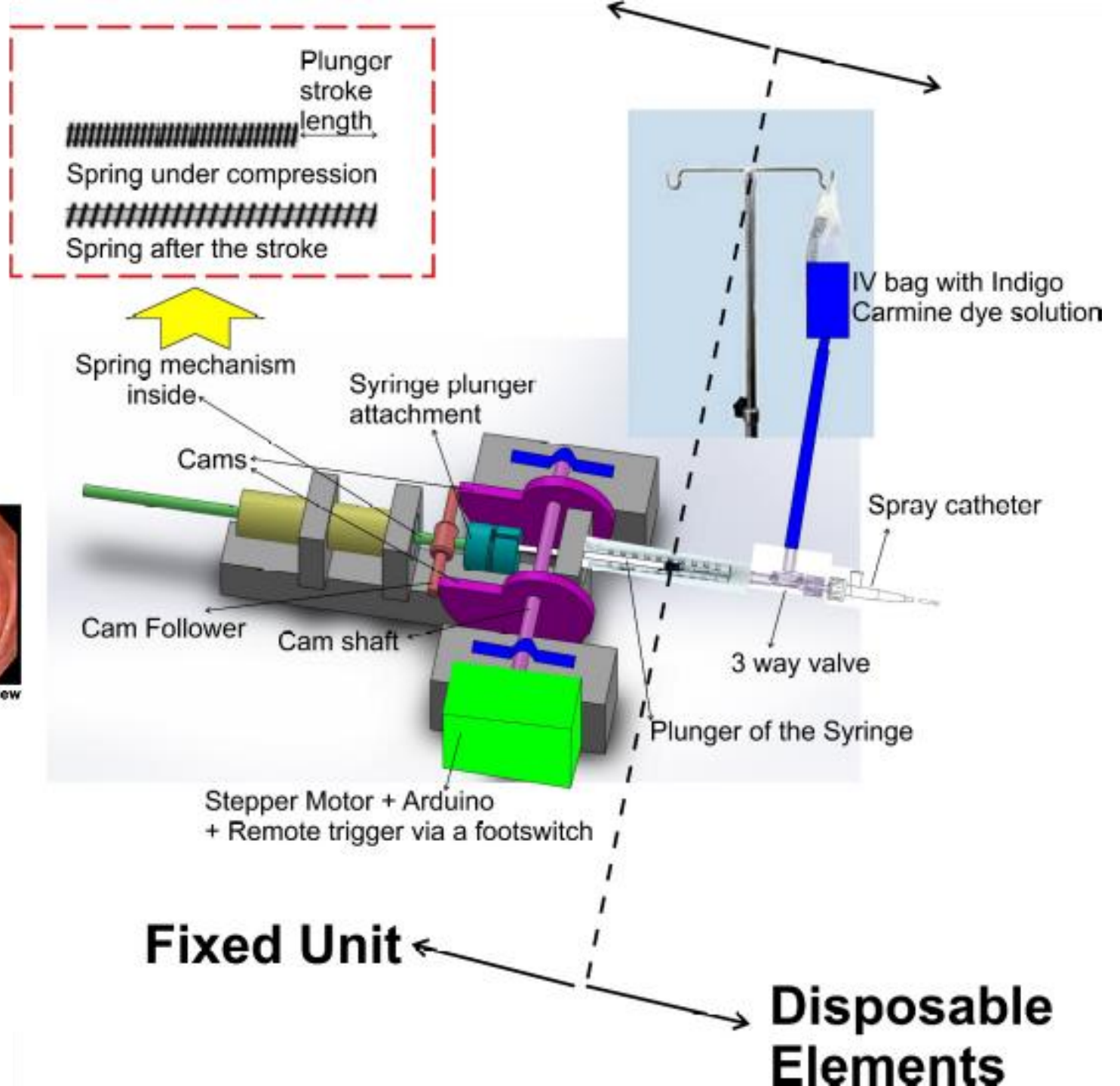
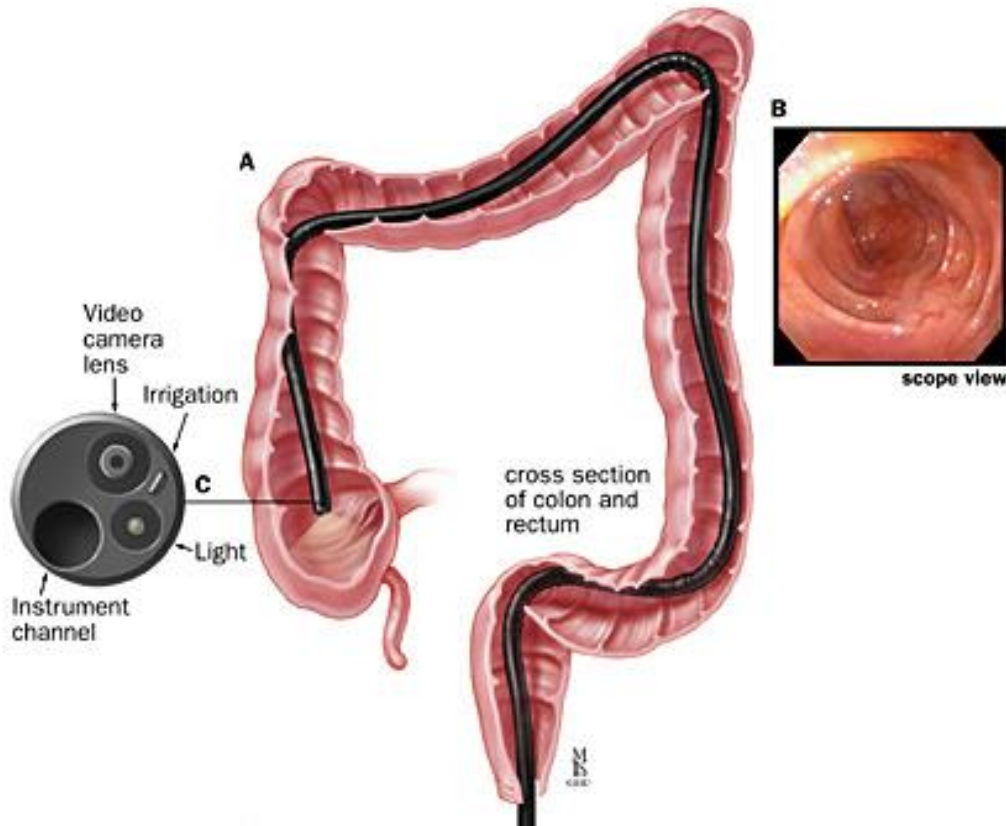
Dr Venkat Subramanian, Dr Richard Lord
Leeds Institute for Biomedical and Clinical Sciences, University of Leeds

**CROHN'S &
COLITIS UK**

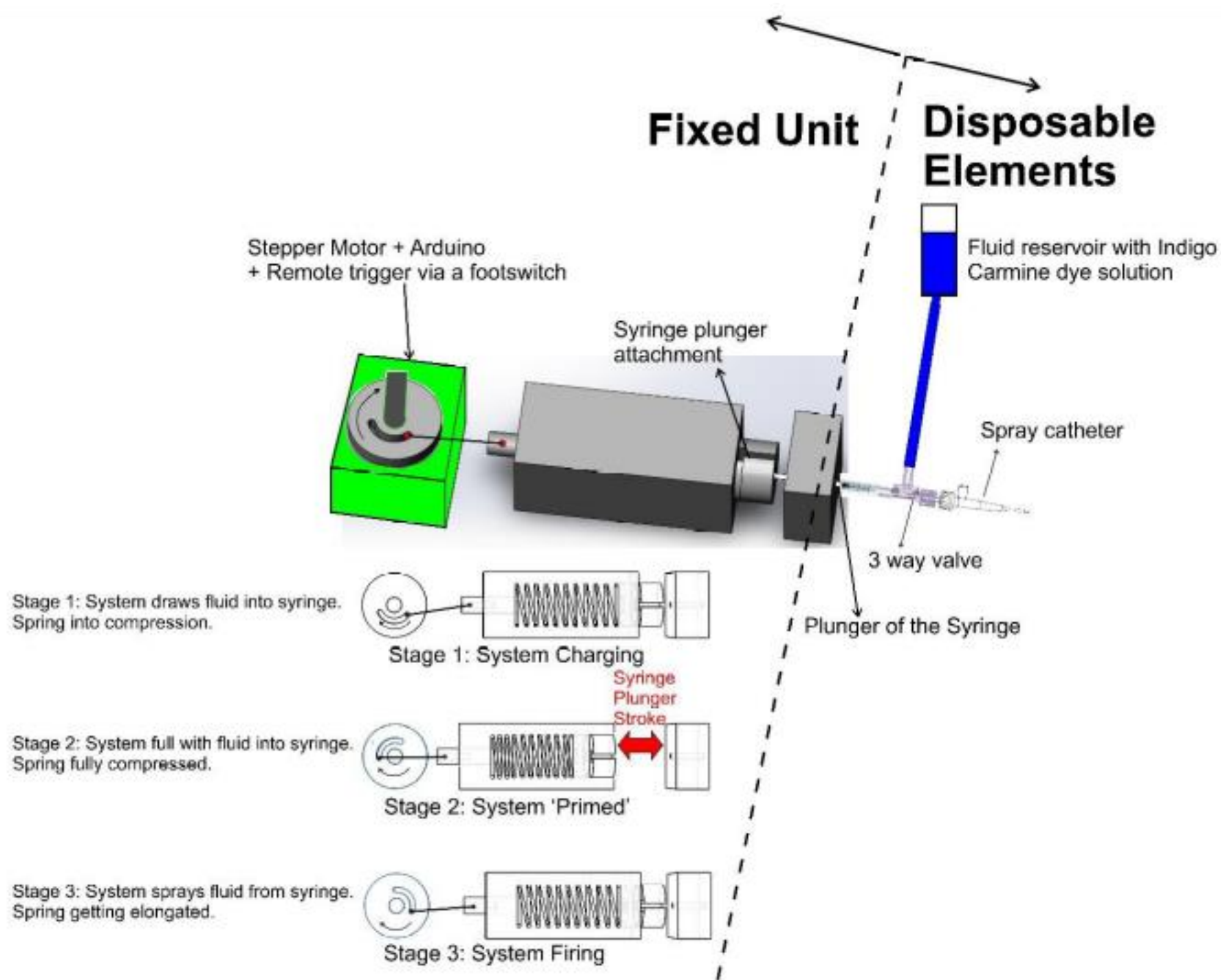

UNIVERSITY OF LEEDS



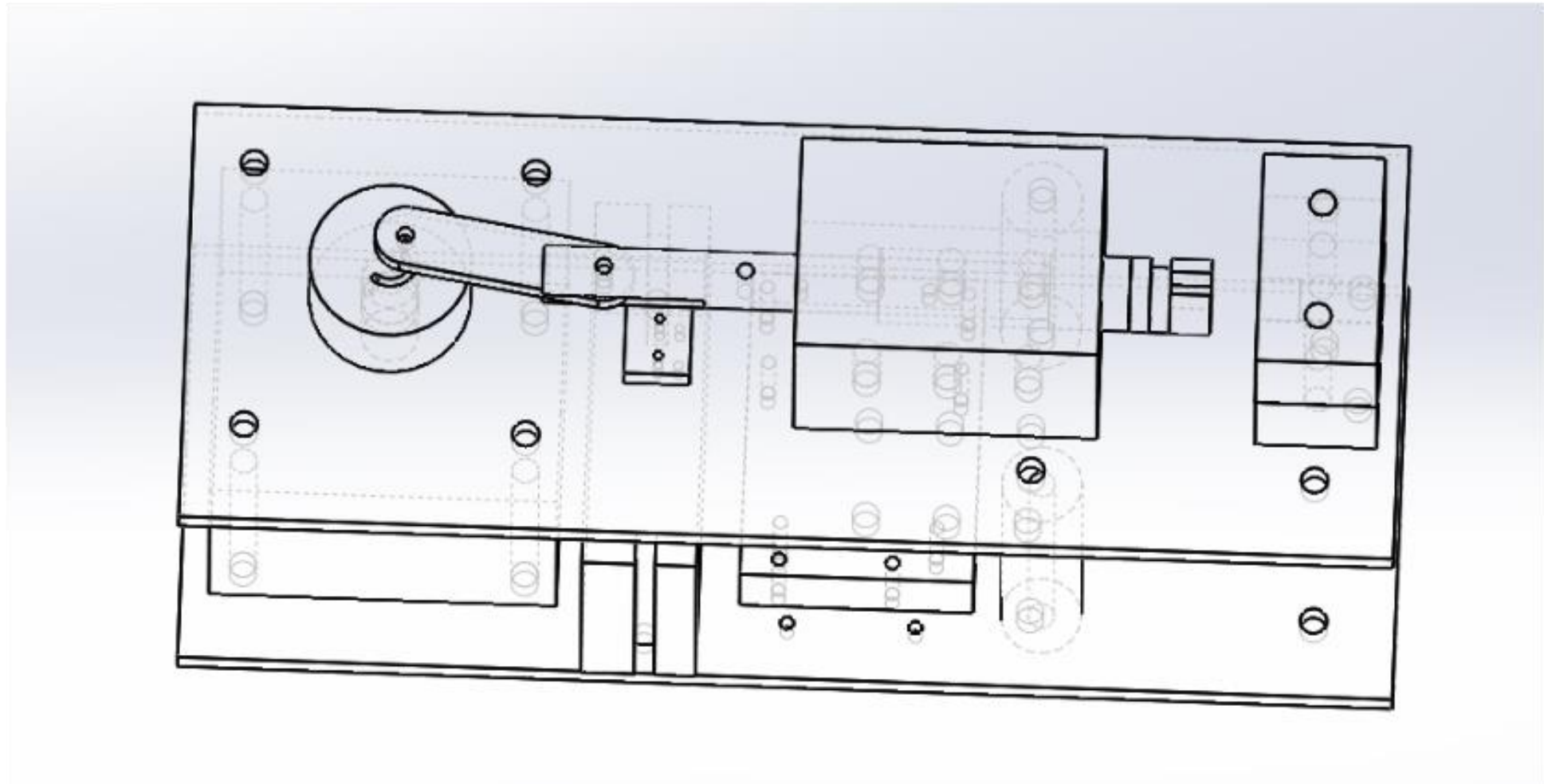
ChromoSpray v1



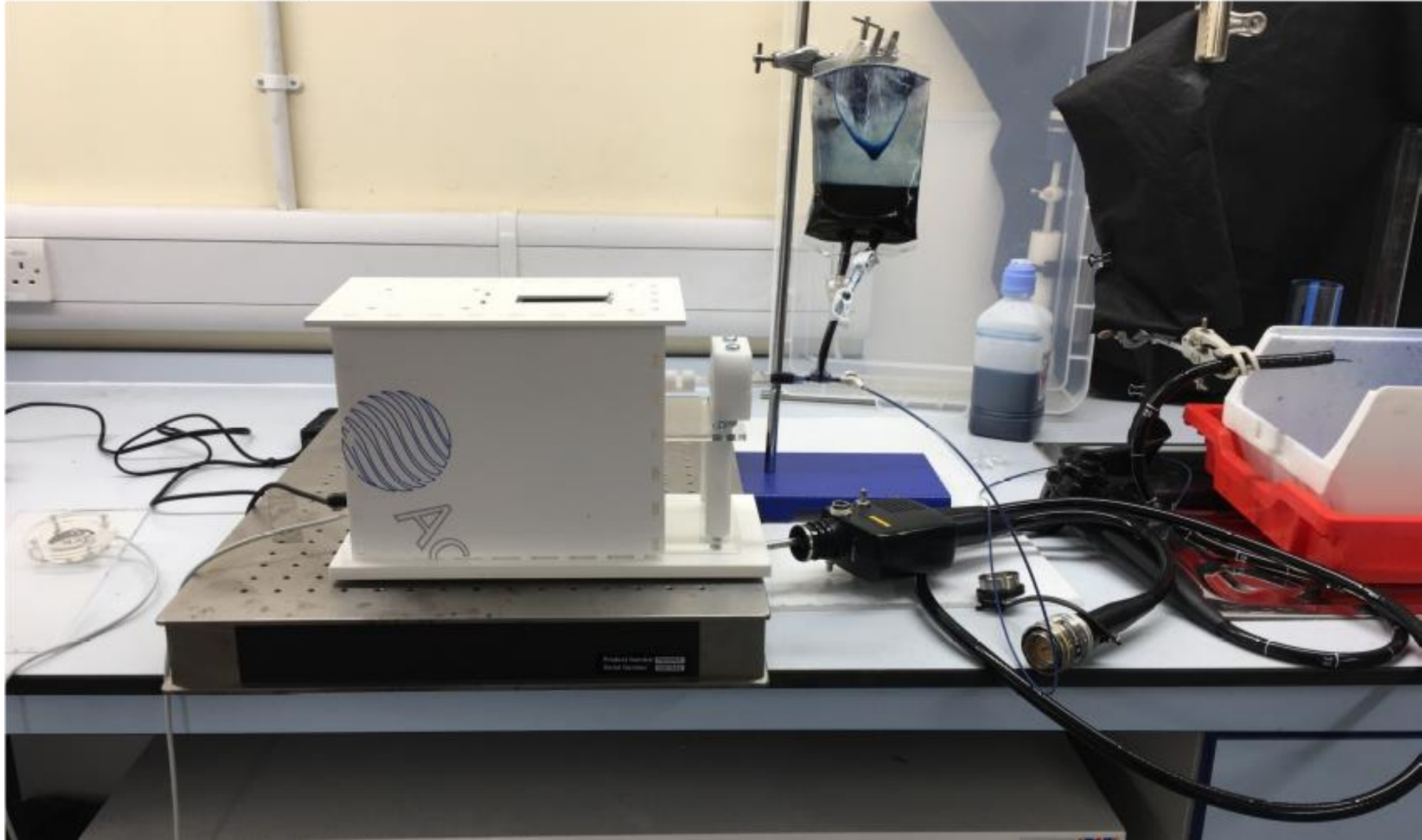
ChromoSpray v2

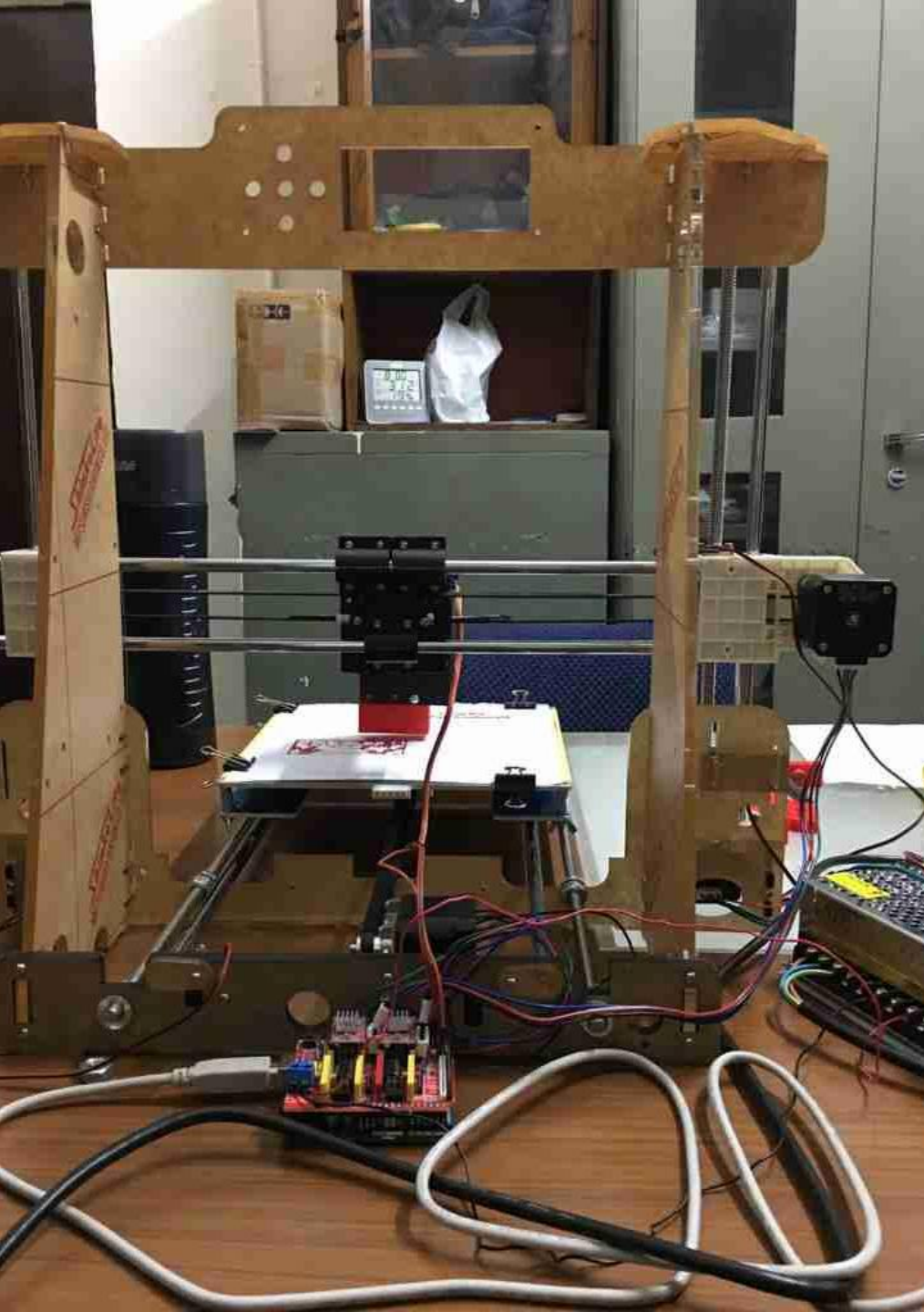


ChromoSpray v2 CAD model



ChromoSpray in Action (boxed and unboxed)



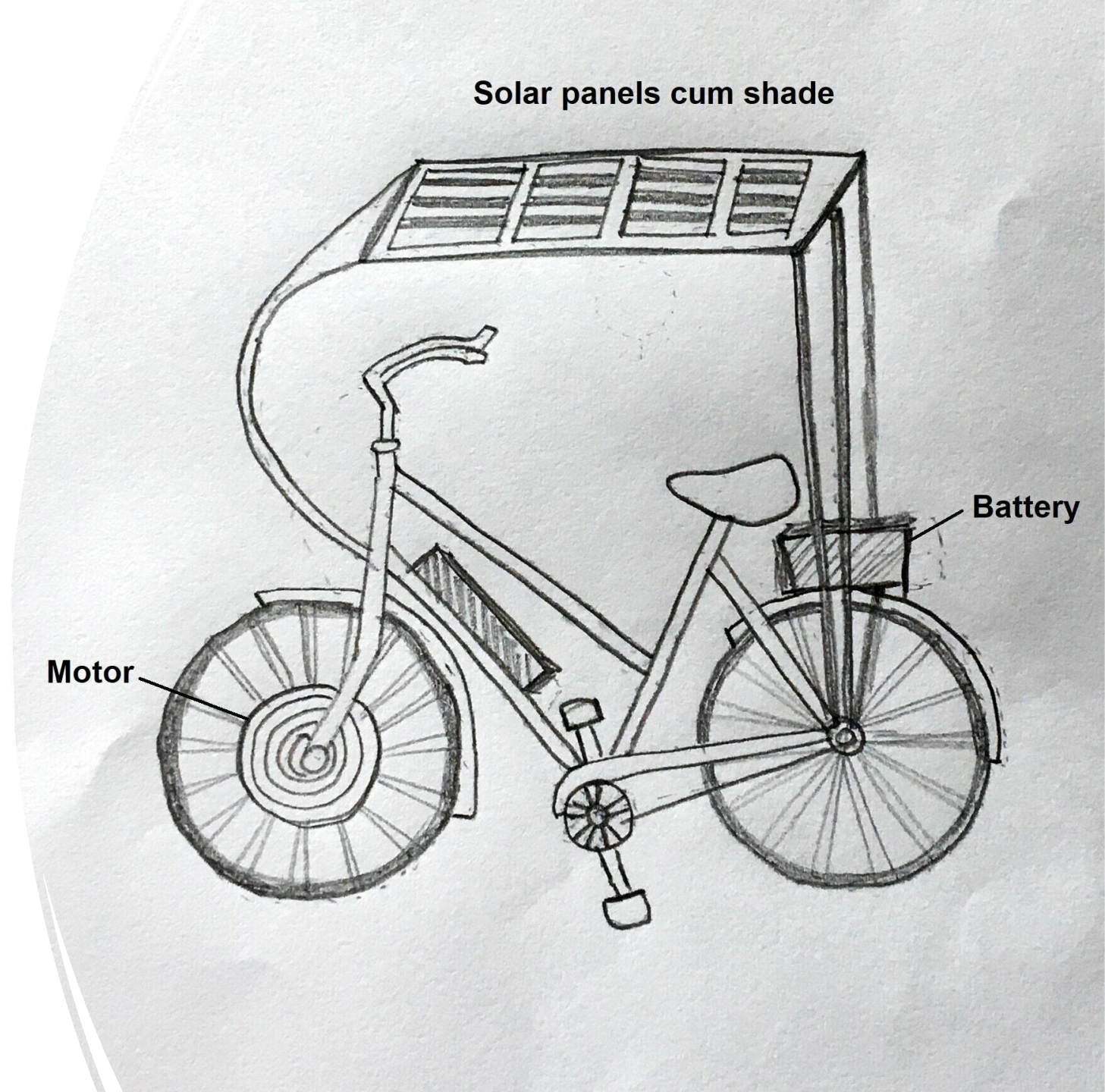


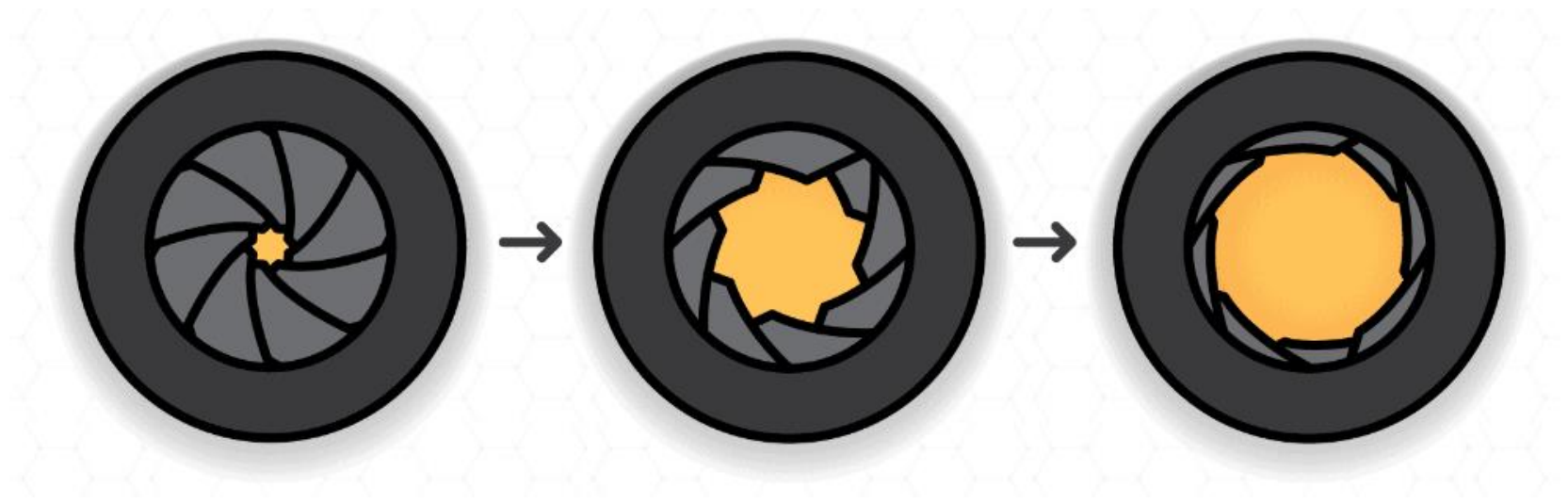
Design of a xy plotter

- [Mechanical Design](#)
- [Machine Design](#)
- Changed a 3D printer design to xy plotter
- xy direction motion control – basis for many CNC machines
- Pen lift mechanism with servo motor
- Timing belt and lead screw mechanisms

Electric bike controller

- [Project proposal](#)
- [Final project](#)
- Spiral development – 1st spiral (e-bike kit), 2nd spiral (arduino based individual components), 3rd spiral (arduino based integrated working), 4th spiral (PCB based components), 5th spiral (PCB based LED strip working), 6th spiral (PCB based motor working).





DSL 732
Autumn 2019
projects

- [Icarus Lamp](#)
- [Interactive Musical Bench](#)
- [Mirror Clock](#)
- [Stair Climbing Robot](#)
- [Self-stabilizing Box](#)

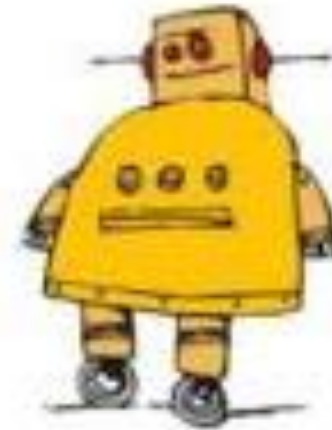


Project examples

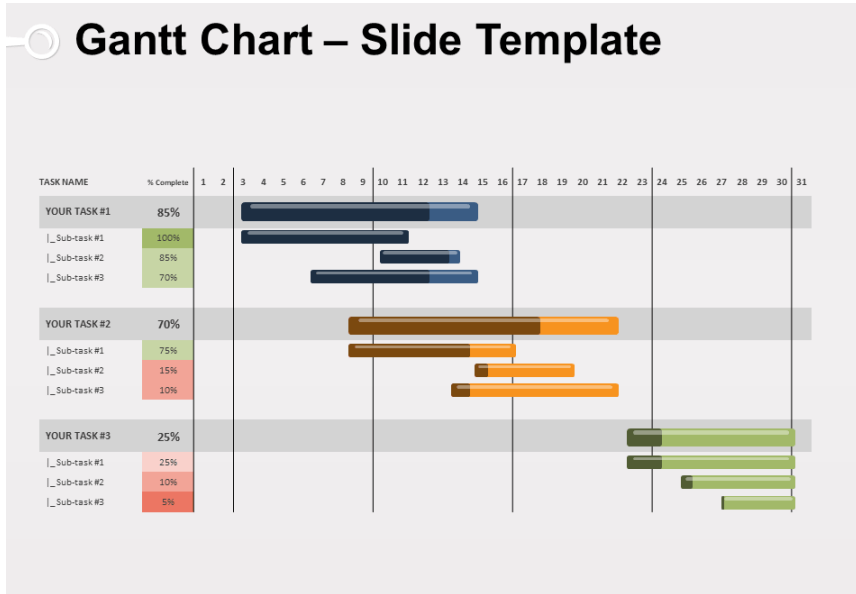
- Development of a semi-autonomous water quality monitoring and surveillance boat (Cdr Venkat Aditya, Lt Cdr Chetan Gowda)
- [Fab Academy projects](#) [Karan Tanna](#)
- [Fab Final Projects 1](#) [Fab Final Projects 5](#)
- [Fab machine making projects](#)
- Projects on [Instructables](#) [Smart Garbage Monitoring](#)
- Projects from architects, engineers
- Projects from young and old.

Searching for projects

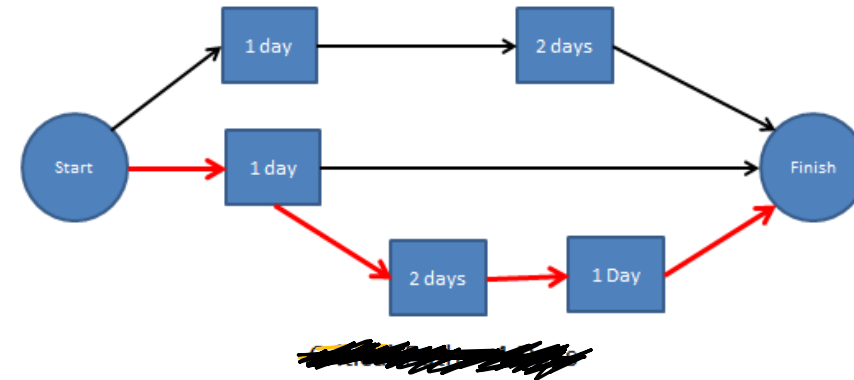
- Fab academy navigation [Fab house](#), [Boat](#), [Weather station](#), other keywords?
- [Press fit furniture](#) [Another attempt](#)
- David Mellis ([cell phone](#))
- Instructables (keywords = Arduino, bicycle, agriculture, etc.)
- <http://techpedia.in/> (Search projects)
- Other DIY sites
- [Flying Man](#)



instructables



www.presentationgo.com



Critical Path Method

Project Management tips

- Fab Academy [Notes Video](#) (29:40-39:40)
- Triage
- Demand side vs. Supply side Time Mgmt.
- Serial vs parallel development
- Spiral Development
- Bottom up vs. Top down debugging, modularity
- Document as you work

Assignment 1: Project Proposal

- Sketch your final project idea(s)
- Describe what it will do and who will use it
- In this course, design phase would be short of a week. Focus on prototyping.
- Challenges foreseen, Components required, Skills used, Timeline
- Your project should use your CAD, additive/subtractive fabrication and electronics skills.
- Groups of two/three projects (individual mastery of skills and independently operable). Complete project – it should do something, Rigor.
- [Evaluation criteria](#)

