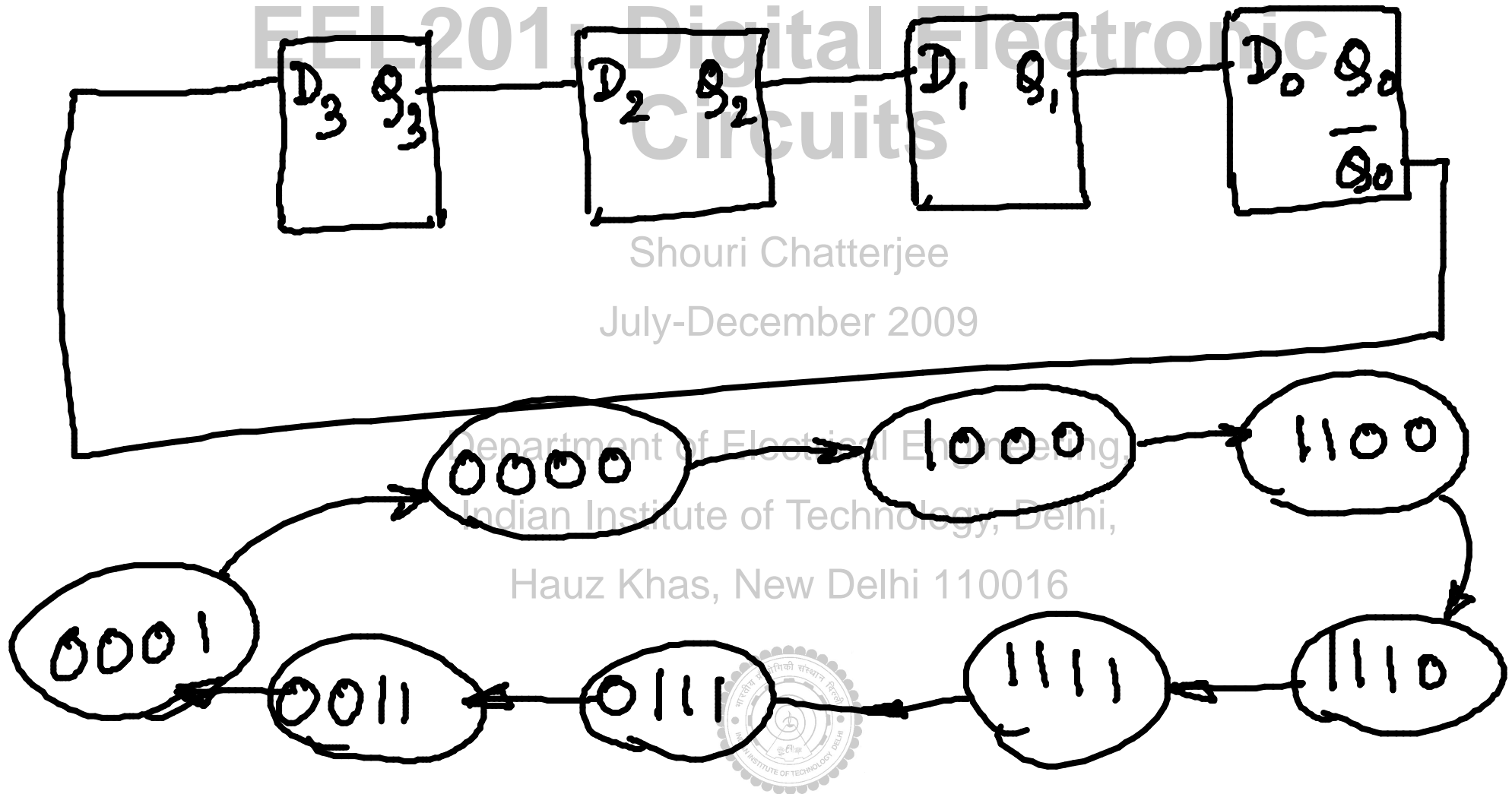
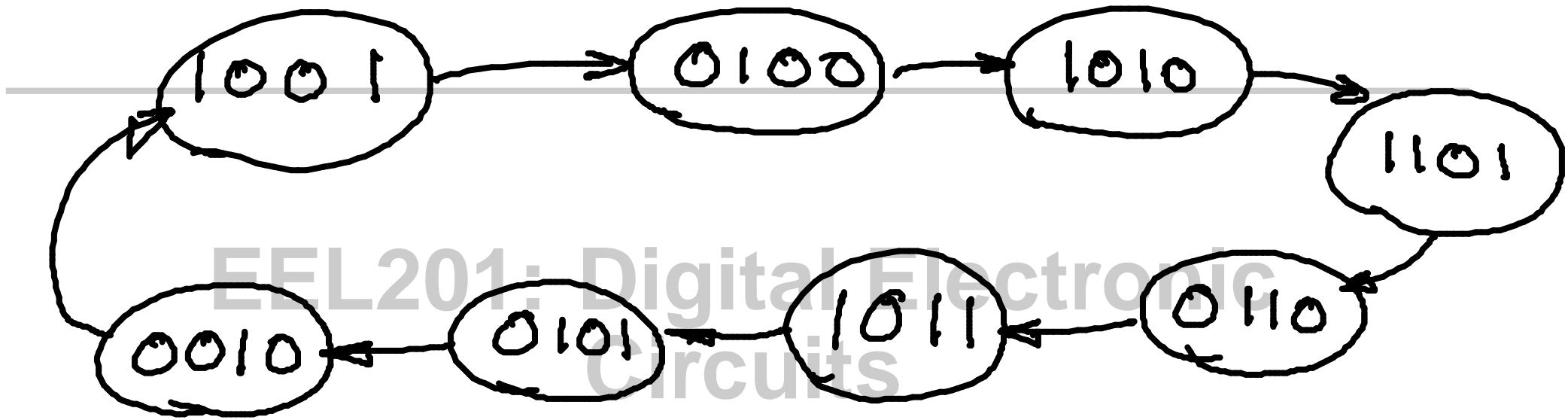


Johnson Counter





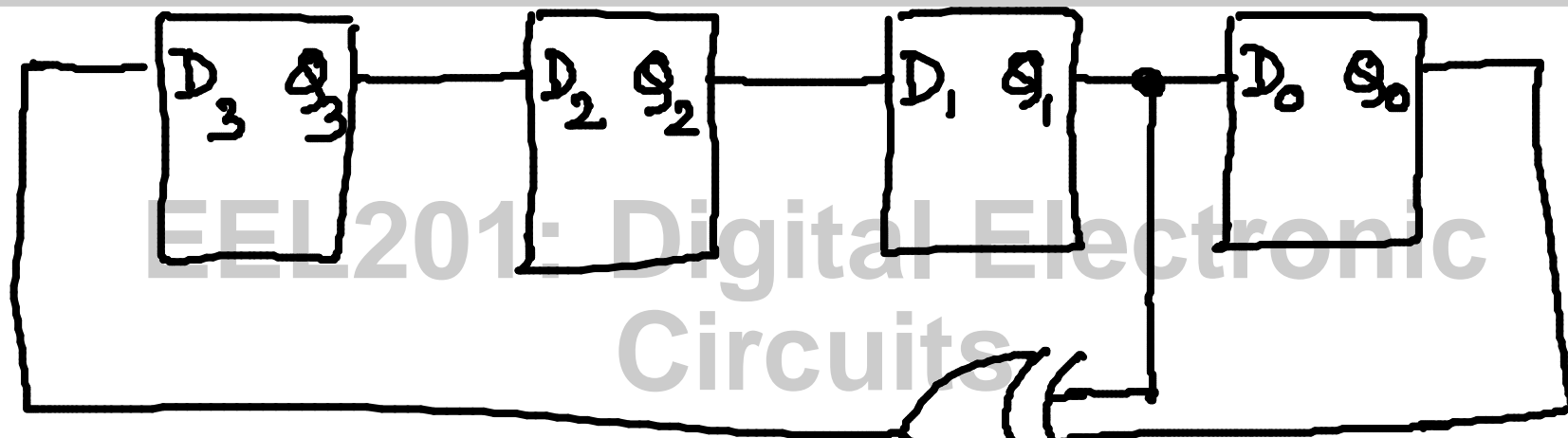
EEL201: Digital Electronic Circuits

Shouri Chatterjee

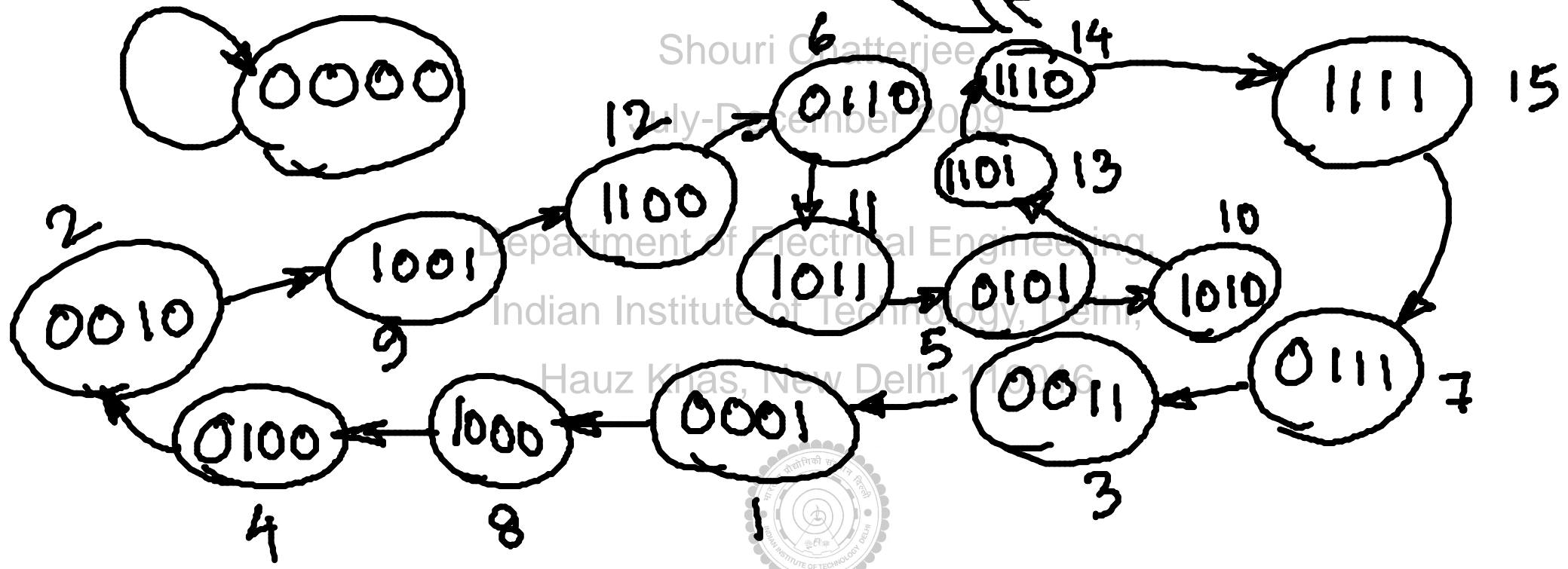
July-December 2009

Department of Electrical Engineering,
Indian Institute of Technology, Delhi,
Hauz Khas, New Delhi 110016





Random numbers generator



0.0010

EEL201: Digital Electronic Circuits

Shouri Chatterjee

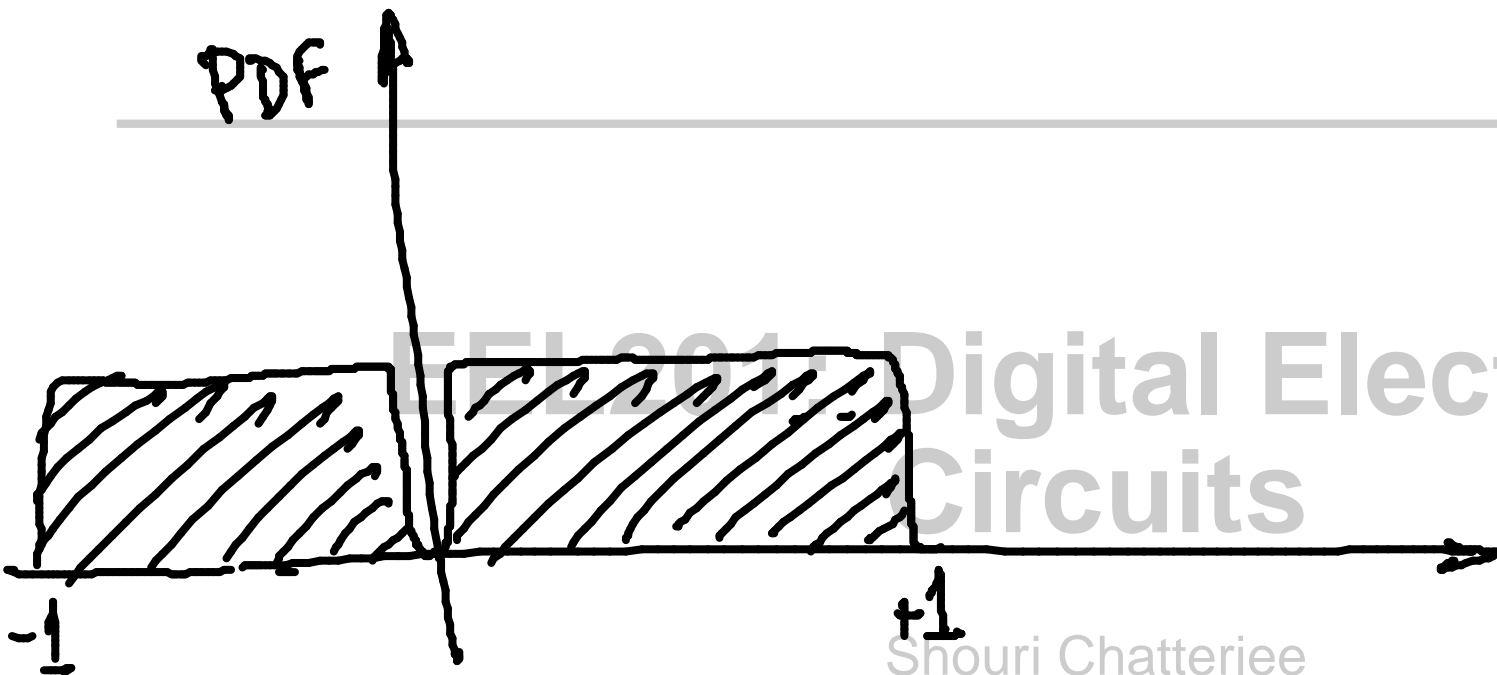
July-December 2019

Department of Electrical Engineering

Indian Institute of Technology, Delhi,

Hauz Khas, New Delhi 110016





EEL 204 Digital Electronic Circuits

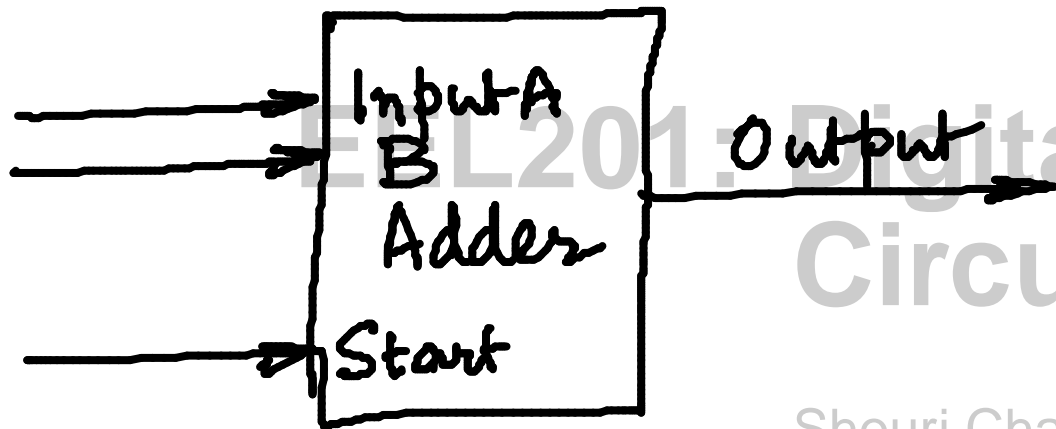
Shouri Chatterjee

July-December 2009

Department of Electrical Engineering,
Indian Institute of Technology, Delhi,
Hauz Khas, New Delhi 110016



Serial adder



A 010110100101
 B 10010010101
 Start 01000000100

Output X 0101110010

Moore

