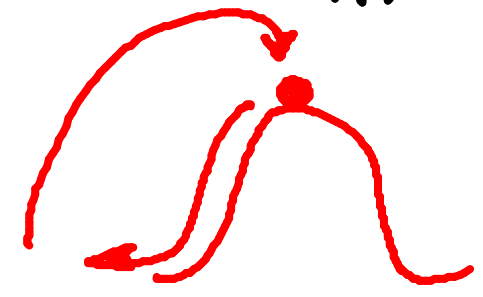
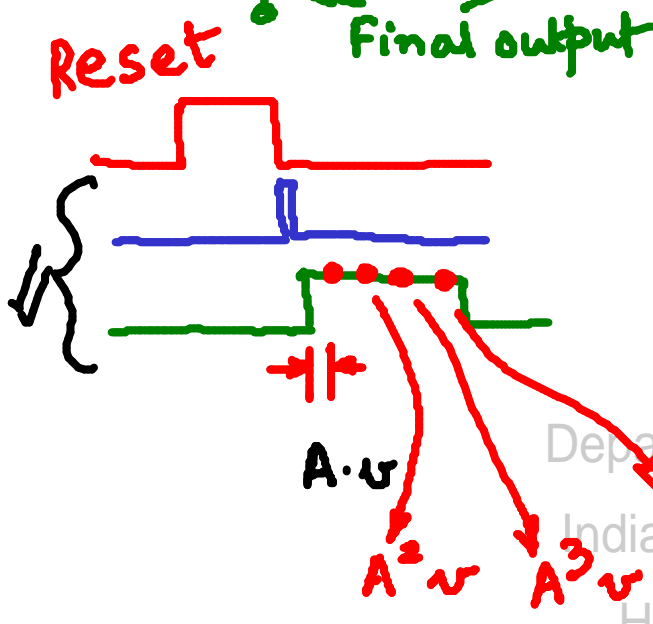


# EEL732: Analog Integrated Circuits

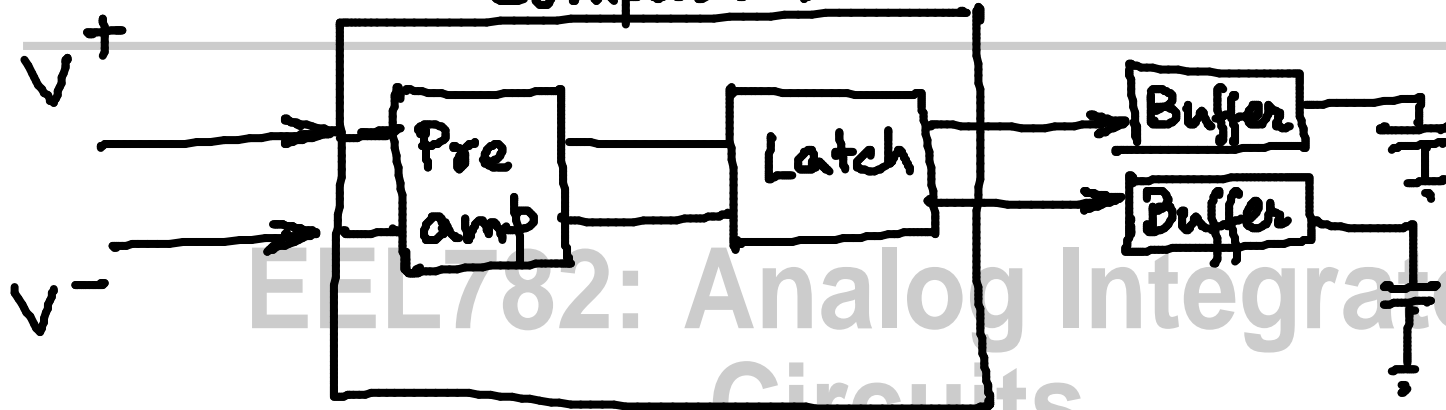
Shouri Chatterjee  
January-May 2009



Department of Electrical Engineering,  
Indian Institute of Technology, Delhi,  
Hauz Khas, New Delhi 110016



# Comparators

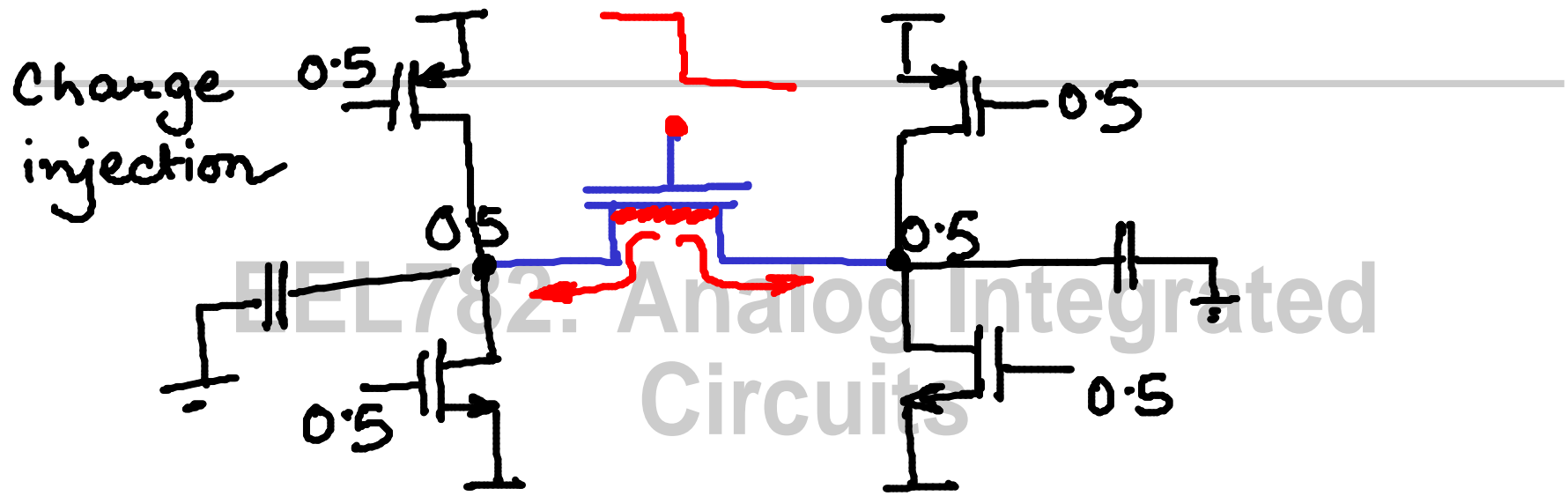


EEL782: Analog Integrated Circuits

Shouri Chatterjee  
January-May 2009

Department of Electrical Engineering,  
Indian Institute of Technology, Delhi,  
Hauz Khas, New Delhi 110016





Shouri Chatterjee

January-May 2009

Department of Electrical Engineering,  
 Indian Institute of Technology, Delhi,  
 Hauz Khas, New Delhi 110016

