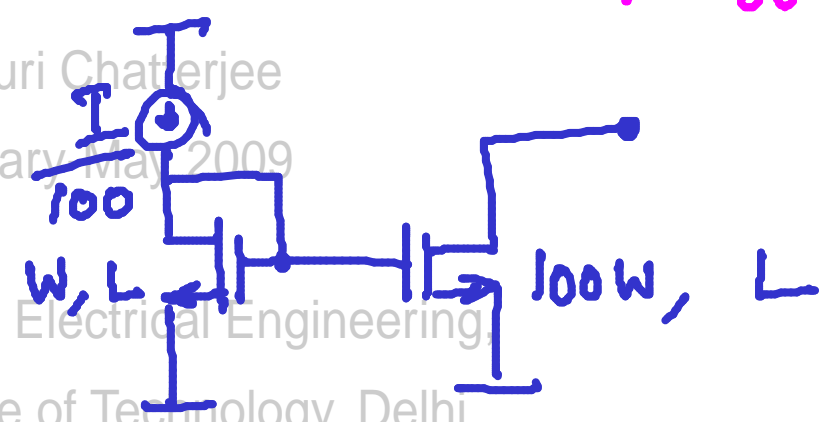
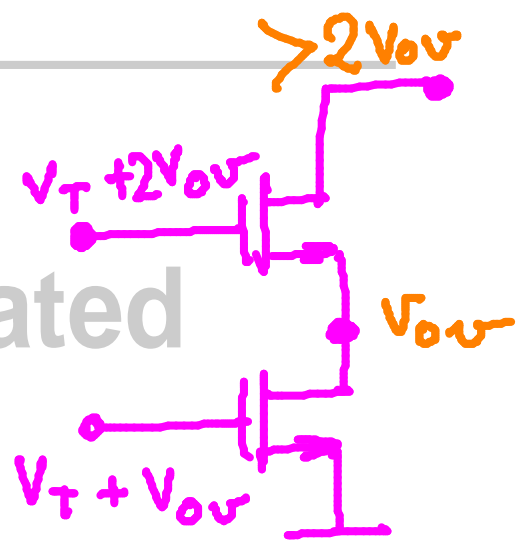
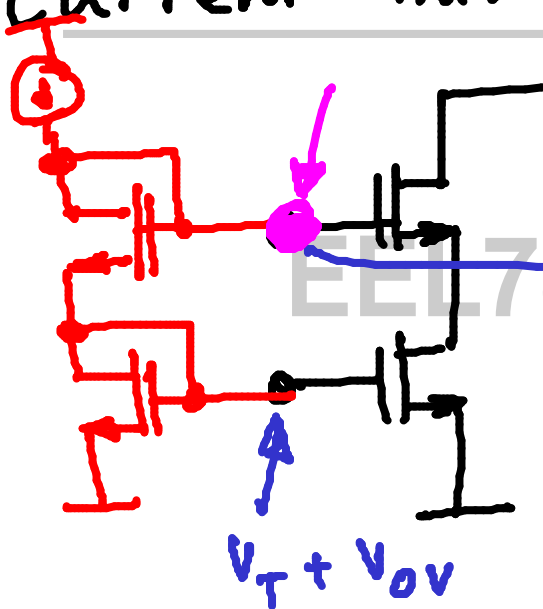


Current mirrors/sources etc.

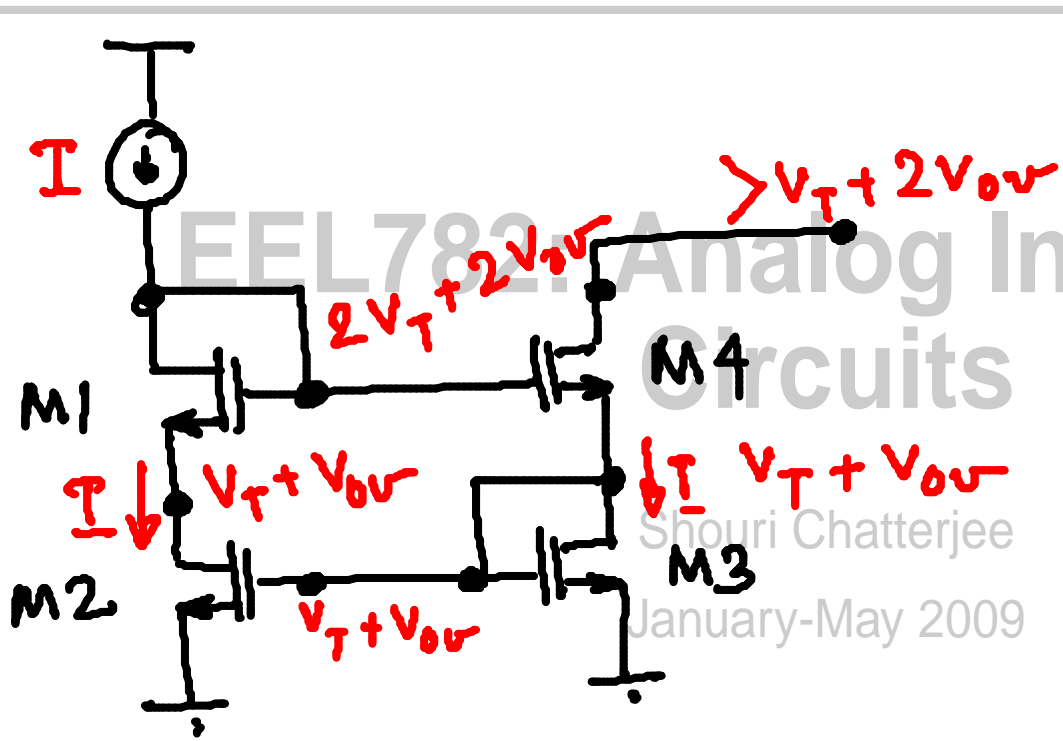


EEL782: Analog Integrated Circuits

Shouri Chatterjee
January-May 2009

Department of Electrical Engineering,
Indian Institute of Technology, Delhi,
Hauz Khas, New Delhi 110016





$$g_{m4} r_{ds3} r_{ds4}$$

EEL782: Analog Integrated Circuits

$$g_{m4} r_{ds4} \left(\frac{1}{g_{m3}} \right)$$

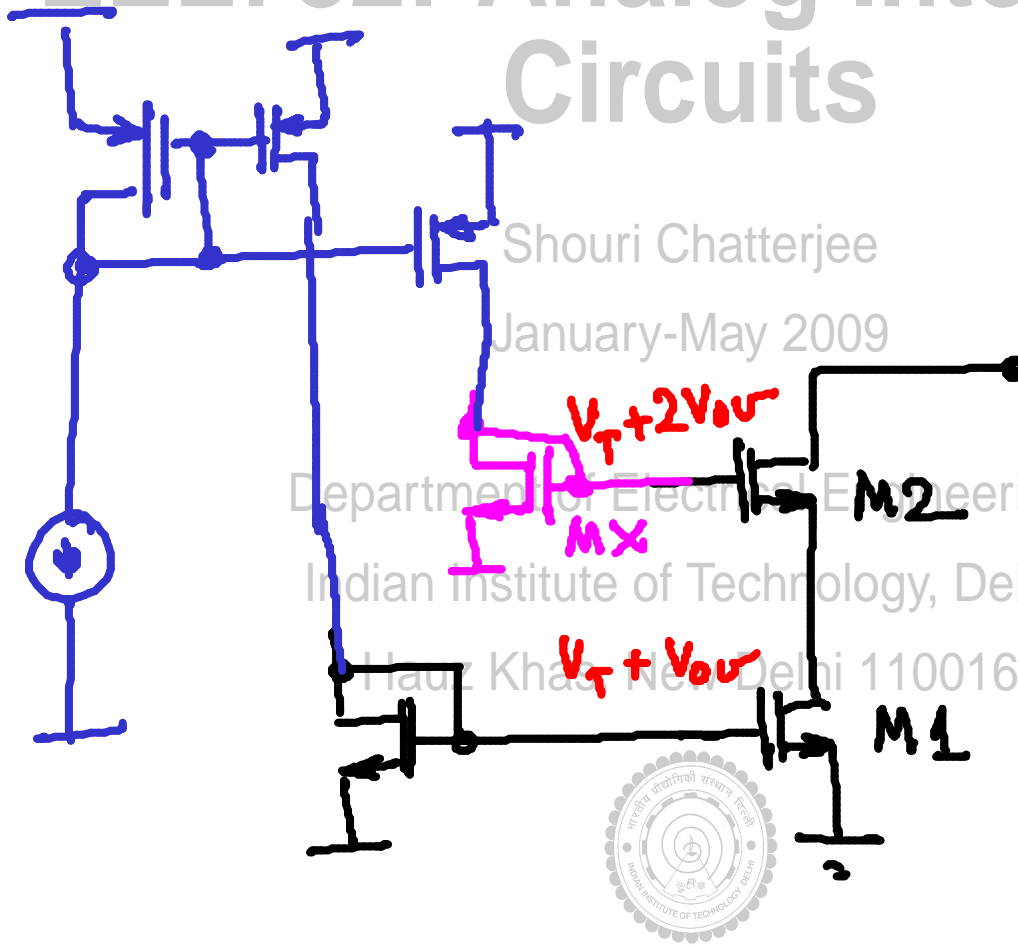
Shourie Chatterjee
January-May 2009

Department of Electrical Engineering,
Indian Institute of Technology, Delhi,
Hauz Khas, New Delhi 110016



EEL782: Analog Integrated Circuits

$$I_D = \frac{\mu C_{ox}}{2} \frac{W}{L} (V_{ov})^2$$



Shouri Chatterjee

January-May 2009

Department of Electrical Engineering,
Indian Institute of Technology, Delhi,

Hauz Khas, New Delhi 110016

