

Common mode feedback

1. CM gain at max \downarrow
2. It should not disturb diff gain
3. New loop is stable

Sense CM voltage at output and f/back.

Shourj Chatterjee

January-May 2009

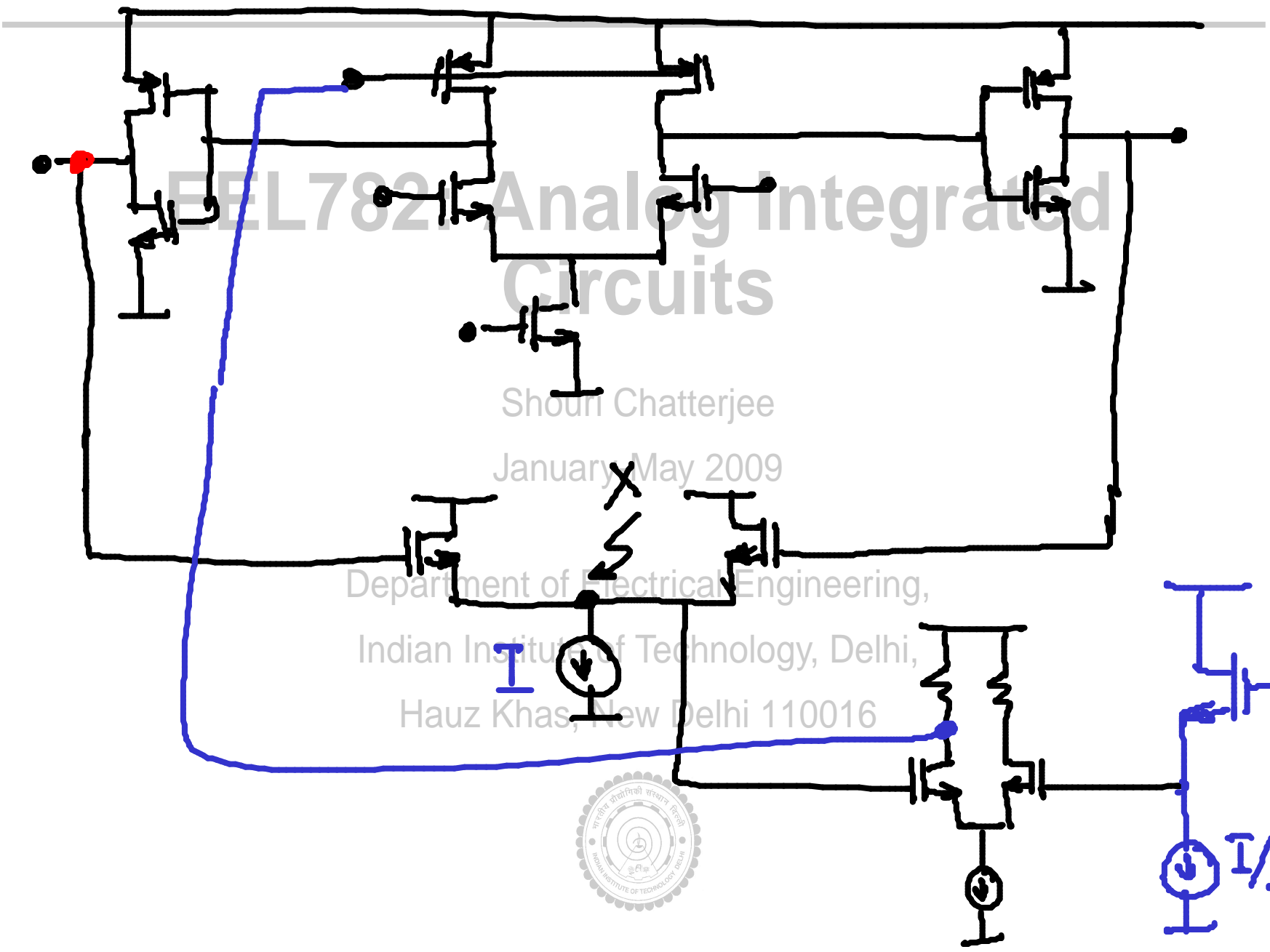
Department of Electrical Engineering,
Indian Institute of Technology, Delhi,
Hauz Khas, New Delhi 110016

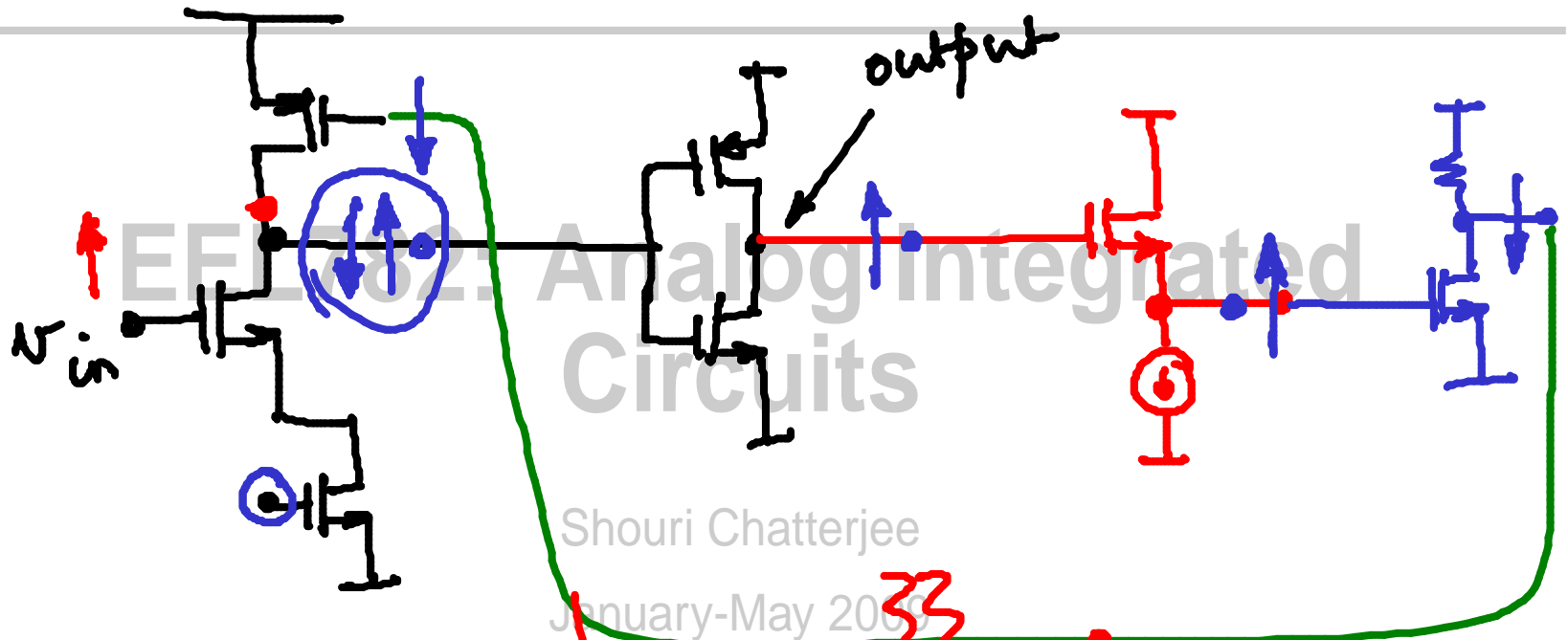


EEL782 Analog Integrated Circuits

Shouri Chatterjee
January-May 2009

Department of Electrical Engineering,
Indian Institute of Technology, Delhi,
Hauz Khas, New Delhi 110016





$$-v_i \cdot g_{mp} \cdot r_{dsp} \times \underbrace{- (g_{mp} + g_{mn}) (r_{dsp} \parallel r_{dsn})}_{\text{Wilson current source}} \times \underbrace{1}_{\text{load resistor}} \times (-g_m (r_{ds} \parallel R))$$

$$\frac{r_{dsp}}{2 r_{dsn}} \times (g_{mp} + g_{mn}) (r_{dsp} \parallel r_{dsn})$$

